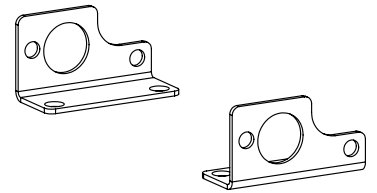
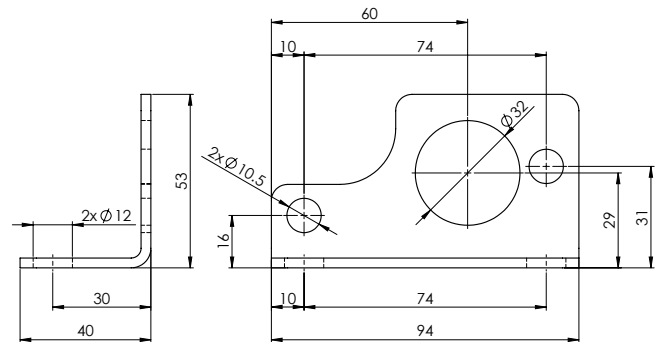
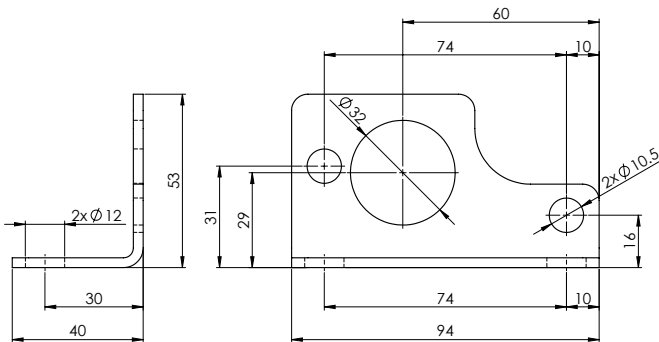


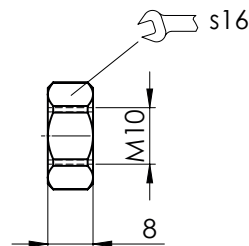
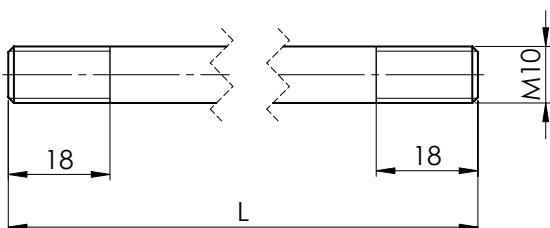
Fixation for module type many fold

- Fixing brackets
- Fixing screws

NG6

FIXING BRACKET
AB61 #1
Article No. 171.1065
AB62 #1
Article No. 171.1064


For mounting a complete assembly 2 fixing brackets are required.
 1 off AB61
 1 off AB62 (mounted on block side with O-ring counter bores)

Material: Steel sheet stainless

FIXING SCREWS
Stud
Nut zinc coated
Article No. 153.1501
Fastening torque
 46 Nm


Number	Description and dimension (M10xL)	Article No.
1 block	Stud M10x76 K8	224.5007
2 blocks	Stud M10x134 K8	224.5056
3 blocks	Stud M10x188 K8	224.5055
4 blocks	Stud M10x242 K8	224.5057
5 blocks	Stud M10x296 K8	224.5058
6 blocks	Stud M10x350 K8	224.5059
7 blocks	Stud M10x404 K8	224.5060
8 blocks	Stud M10x458 K8	224.5061

Material: Stainless steel 1.4057