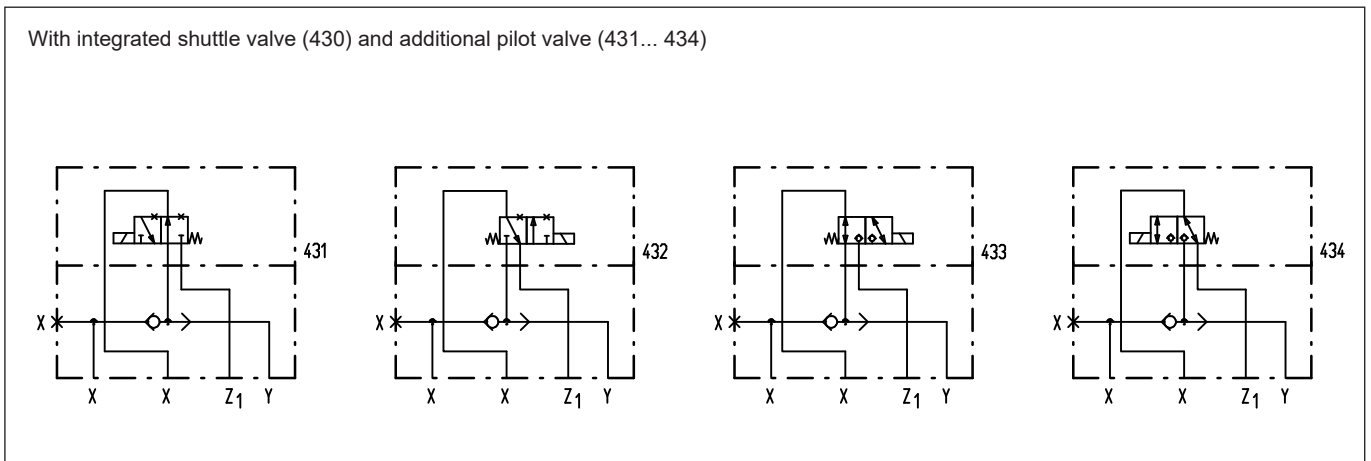
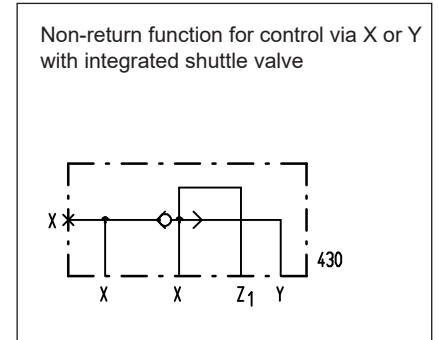
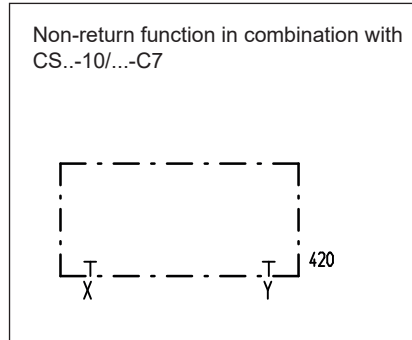
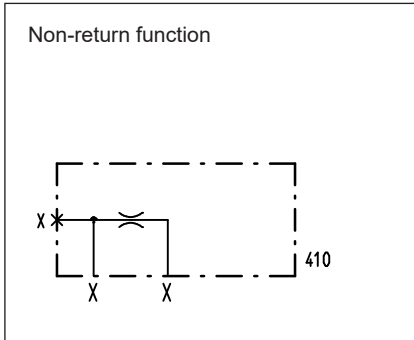


Control cover  
 for check function  
 •  $p_{max} = 350 \text{ bar}$

**NG 16**  
 ISO 7368



**TYPE CODE**

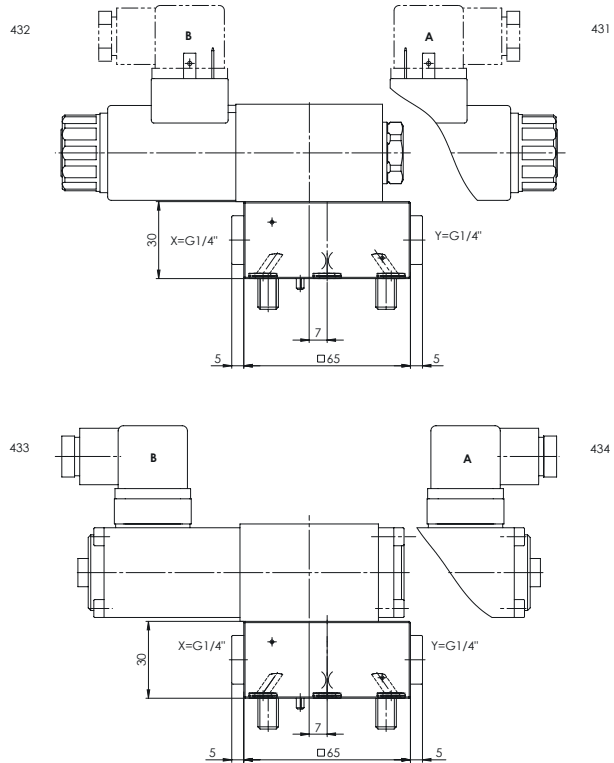
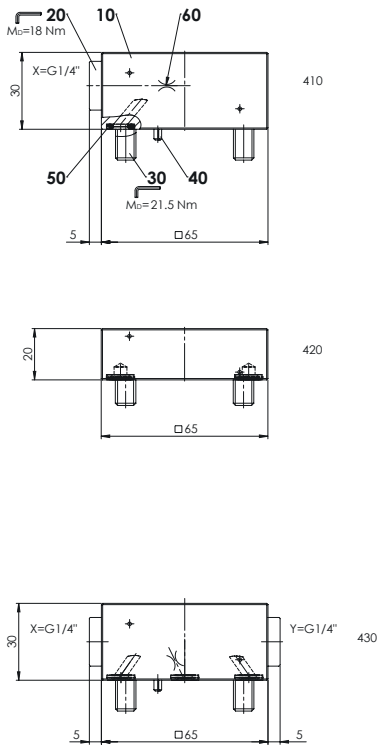
Control cover				D	16		-		/	#	
Nominal size											
Pilot no.	410...434										
Solenoid type for pilot valve											
Standard	431, 432										
	433, 434										
Nominal voltage $U_N$	12 VDC	<input type="checkbox"/> G12			115 VAC	<input type="checkbox"/> R115					
	24 VDC	<input type="checkbox"/> G24			230 VAC	<input type="checkbox"/> R230					
Orifice in cover	0.6 mm	<input type="checkbox"/> 0.6									
	1.0 mm	<input type="checkbox"/> 1.0		etc.							
Omit if without orifice											
Design-Index (Subject to change)											

**GENERAL SPECIFICATIONS**

Construction	Control cover for check function
Mounting position	any
Installation dimension	see dimension to ISO 7368, see data sheet 2.13-1021
Ambient temperature	-25...+70 °C
Fastening torque	$M_D = 25 \text{ Nm}$ (qual. 8.8) for fixing screws

**HYDRAULIC SPECIFICATIONS**

Fluid	Mineral oil, other fluid on request
Contamination efficiency	ISO 4406:1999, class 18/16/13 (Required filtration grade $\beta_{6...10} \geq 75$ ) see data sheet no. 1.0-50/2
Viscosity range	12 mm <sup>2</sup> /s bis 320 mm <sup>2</sup> /s
Fluid temperature	-20...+70 °C
Operation pressure	$p_{\max} = 350 \text{ bar}$

**DIMENSIONS**

**PARTS LIST**

Position	Article	Description
10	063.0016	Plate to 410
	063.0005	Plate to 420
	063.0024	Plate to 430
	063.0030	Plate to 431, 432, 433, 434
	238.2406	Locking screw VSTI G1/4"
20	246.4121	Cyl. screw M8x20 DIN912
	246.4131	Cyl. screw M8x30 DIN912
40	221.2255	Pin $\varnothing 3 \times 10$ DIN1481
50	160.2061	O-ring ID 6,02x2,62
60	118.2051	Orifice M5 / 0,6 x 5
	118.2030	Orifice M5 / 0,7 x 5
	118.2032	Orifice M5 / 0,8 x 5
	118.2052	Orifice M5 / 0,9 x 5
	118.2031	Orifice M5 / 1,0 x 5

**PILOT OPERATED VALVES**

Pilot operated valves:	Article	Data sh.
431	WDMFA04-AB1	1.2-33
432	WDMFA04-AB2	1.2-33
433	BS32040b	1.11-2120
434	BS32041a	1.11-2120