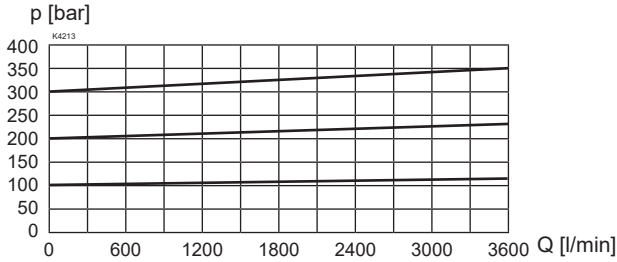
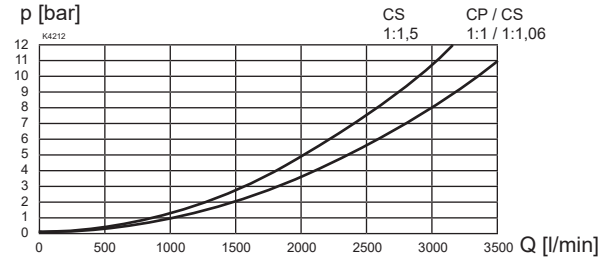
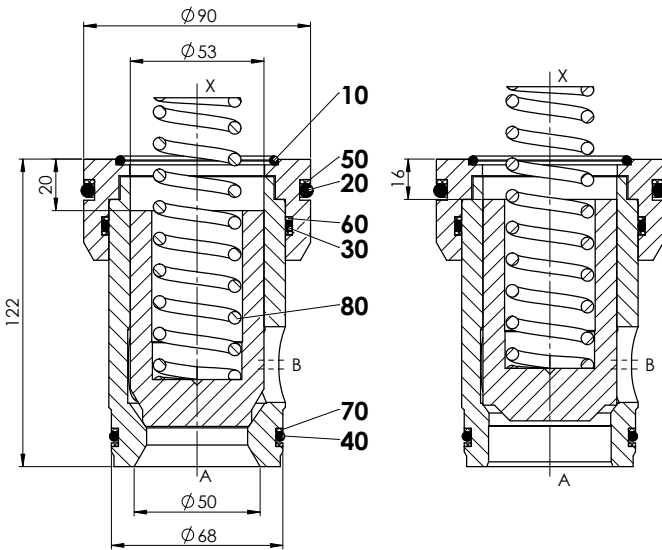




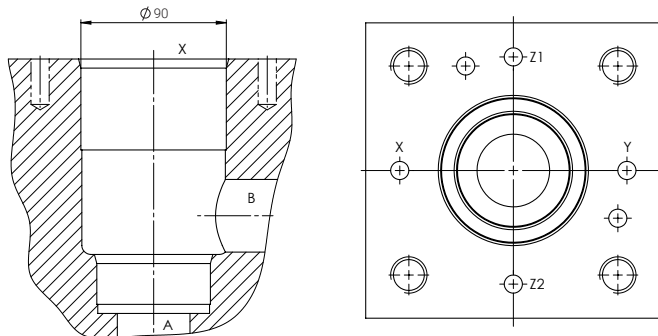

**CHARACTERISTICS** Oil viscosity  $\nu = 30 \text{ mm}^2/\text{s}$ 
 $\Delta p = f(Q)$  Pressure drop / volume flow characteristics

**DIMENSIONS**

CSEN50-15

CPEN50-10


**HYDRAULIC CONNECTION**

Cavity drawing according to ISO 7368



**Important!** For detailed cavity drawing and cavity tools see data sheet 2.13-1025

**CHARACTERISTICS**

Nominal	Opening pressure [bar]			
	0,5	1,0	2,0	4,0

Area ratio	Flow direction A $\rightarrow$ B			
	1:1	0,4	0,8	1,6
1:1,06	0,4	0,9	1,7	3,4
1:1,5	0,6	1,2	2,5	4,9

Area ratio	Flow direction B $\rightarrow$ A			
	1:1	-	-	-
1:1,06	6,5	13,1	26,1	52,3
1:1,5	1,1	2,2	4,4	8,8

Pressure spring	Article no.			
	CD, CP, CS	053.7414	053.7908	053.8405

**PARTS LIST**

Position	Description	Seal kit
10	O-ring ID 58,74 x 3,53	•
20	O-ring ID 78,74 x 5,33	•
30	O-ring ID 69,44 x 3,53	•
40	O-ring ID 59,92 x 3,53	•
50	Backup ring rd 78,4 x 87,1 x 1,7	
60	Backup ring rd 70,0 x 75,6 x 1,4	
70	Backup ring rd 59,3 x 64,9 x 1,4	
80	Pressure spring 34,8	

**SEAL KIT**

251.8710	Seal kit C.E.50	NBR
251.8711	Seal kit C.E.50	VITON

**INSTALLATION NOTES**

Mounting type	Slip-in cartridge
Mounting position	Any, preferably horizontal
Dismounting	Dismounting tool DW-C.E.50 Article no. 983.3011


**Note!** The length of the cover fixing screws to be used depends on the base material of the valve body and on the maximum system pressure.