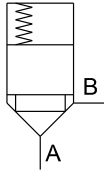
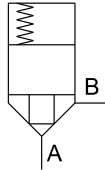
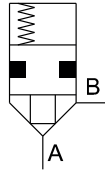
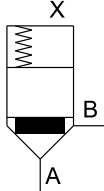
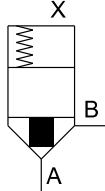


## 2/2-way slip-in cartridge valves

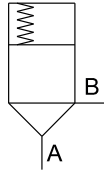
- $Q_{max} = 880 \text{ l/min}$
- $p_{max} = 630 \text{ bar}$

**NG 25**  
 DIN ISO 7368

**2/2-WAY FUNCTION**

Area ratio A:X	1:1,06 X	1:1,5 X	1:1,5 X
			
Type Execution	CSEN25-11 Standard	CSEN25-15 Standard	CLEN25-15 with seal B → X
			
Type Execution	CDEN25-11 with damping	CDEN25-15 with damping	

**PRESSURE RELIEF**

Area ratio A:X	1:1,0 X
	
Type Execution	CPEN25-10 Standard

**TYPE CODE**

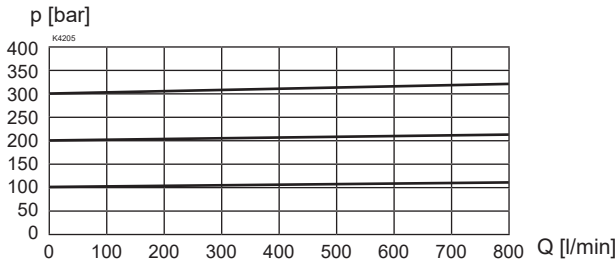
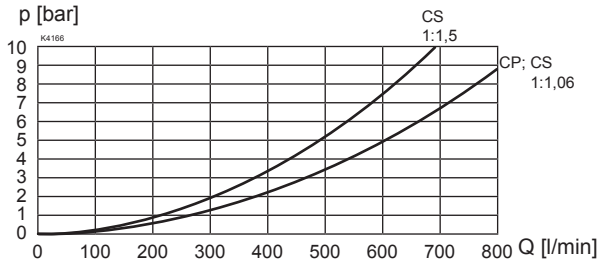
2/2-way slip-in cartridge valve		C	<input type="checkbox"/>	EN25	-	<input type="checkbox"/>	/	<input type="checkbox"/>	/	<input type="checkbox"/>	-	<input type="checkbox"/>	#	<input type="checkbox"/>
Seat construction		S												
Seat construction with seal		L												
Seat construction with damping		D												
Pressure function		P												
Nominal size 25, Enhanced														
Area ratio	1:1	10												For pressure function only
	1:1,06	11												
	1:1,5	15												
Opening pressure A to B	0 bar (without spring)	0												Not for type CLEN
Nominal	0.5 bar	05												Not for type CLEN
	1.0 bar	10												
	2.0 bar	20												Not for type CLEN
	4.0 bar	40												Not for type CLEN
Orifice in poppet spool	closed													
Sealing material	NBR													
	FKM	D1												(Viton)
Design-Index (subject to change)														

**GENERAL SPECIFICATIONS**

Construction	2/2-way slip-in cartridge valves
Mounting position	any
Mounting dimensions	according to DIN ISO 7368
Ambient temperature	-30...+80 °C
Weight spool	m = 0,12 kg (1:1,5)
Weight total	m = 0,44 kg (1:1,5; without spring)
MTTFd	150 years

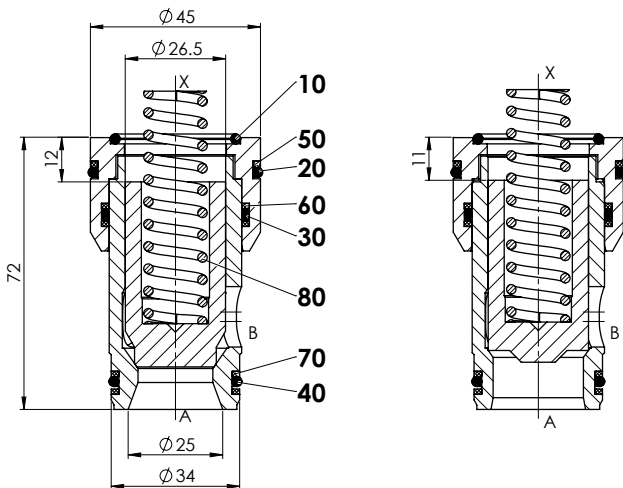
**HYDRAULIC SPECIFICATIONS**

Fluid	Mineral oil, other fluid on request
Contamination efficiency	ISO 4406:1999, class 18/16/13 (Required filtration grade $\beta_{6...10} \geq 75$ ) refer to data sheet no. 1.0-50/2
Viscosity range	12 mm <sup>2</sup> /s...320 mm <sup>2</sup> /s
Fluid temperature	-20...+80 °C (FKM) -30...+80 °C (NBR)
Operating pressure	$p_{max} = 630 \text{ bar}$ (connections A, B, X) CLEN $p_{max} = 420 \text{ bar}$ CPEN connection X, X-A = < 420 bar max. cover pressure to be observed
Max. volume flow	$Q_{max} = 880 \text{ l/min}$ at v = 30 m/s
Pilot oil volume	$Q_{st} = 6,5 \text{ cm}^3$

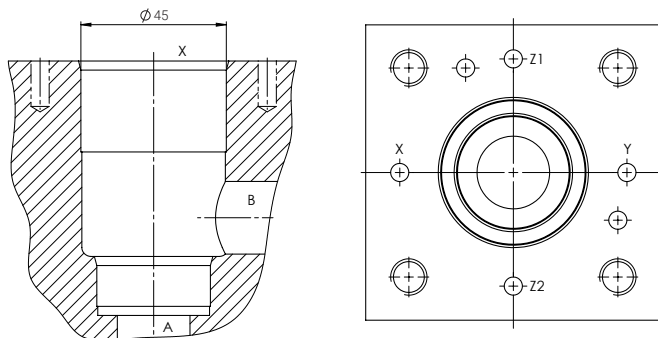

**CHARACTERISTICS** Oil viscosity  $\nu = 30 \text{ mm}^2/\text{s}$ 
 $\Delta p = f(Q)$  Pressure drop / volume flow characteristics

**DIMENSIONS**

CSEN25-15

CPEN25-10


**HYDRAULIC CONNECTION**

Cavity drawing according to ISO 7368



**Important!** For detailed cavity drawing and cavity tools see data sheet 2.13-1022

**CHARACTERISTICS**

Nominal	Opening pressure [bar]			
	0,5	1,0	2,0	4,0

Area ratio	Flow direction A to B			
	1:1	0,4	0,8	1,6
1:1,06	0,4	0,9	1,7	3,4
1:1,5	0,6	1,2	2,5	4,9

Area ratio	Flow direction B to A			
	1:1	-	-	-
1:1,06	6,1	12,3	24,5	49,1
1:1,5	1,1	2,2	4,4	8,7

Pressure spring	Article no.			
	CD, CP, CS	053.3804	053.4804	053.5806
CL	-	053.4805	-	-

**PARTS LIST**

Position	Description	Seal kit
10	O-ring ID 29,82 x 2,62	•
20	O-ring ID 39,34 x 2,62	•
30	O-ring ID 34,59 x 2,62	•
40	O-ring ID 28,24 x 2,62	•
50	Backup ring rd 38,5 x 42,6 x 1,4	
60	Backup ring rd 35,0 x 39,1 x 1,4	
70	Backup ring rd 27,6 x 31,7 x 1,4	
80	Pressure spring 16,8	

**SEAL KIT**

251.7410	Seal kit C.E.25	NBR
251.7411	Seal kit C.E.25	VITON

**INSTALLATION NOTES**

Mounting type	Slip-in cartridge
Mounting position	Any, preferably horizontal
Dismounting	Dismounting tool DW-C.E.25 Article no. 983.3014


**Note!** The length of the cover fixing screws to be used depends on the base material of the valve body and on the maximum system pressure.