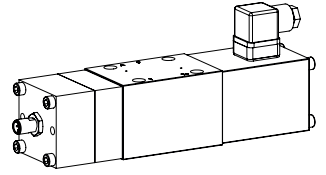


**Solenoid operated poppet valve with additional inductive switching position monitoring**
**NG10**  
**ISO 4401-05**
**Flange construction**

- ◆ 2/2- and 3/2-way
- ◆ normally open and normally closed
- ◆  $Q_{max} = 80$  l/min
- ◆  $p_{max} = 350$  bar


**DESCRIPTION**

Solenoid operated poppet valve according to data sheet 1.11-2160 with additional inductive switching position monitoring. The contactless sensor transmits the poppet position to a step signal.

**TYPE CODE**

2/2 or 3/2 way execution

International standard interface ISO

 Solenoid, Medium  
 Solenoid, Super

M
S

 2 way (connections)  
 3 way (connections)

2
3

2 switching positions

Nominal size 10

 Normally closed  
 Normally open

 Solenoid on A-side  
 Solenoid on B-side

1a
0b

Other type designation according to type code data sheet 1.11-2160

 Polarity /Signal output /Monitoring  
 PNP / NO / Single  
 PNP / NC / Single  
 NPN / NO / Single

Z603
Z482
Z600

Design index (subject to change)

1.11-2162

**GENERAL SPECIFICATIONS**

Weight	5,30 kg (22101)
	5,95kg (22100; 3210.)

**Sensor Specifications:**

Nominal voltage	24 VDC
Operating voltage	10...30 VDC
Signal current	max. 200 mA
Switching frequency	2000 Hz
Protection class	IP 68
	According to the connection type, the protection class of the valve can be lower, see data sheet 1.11-2160
Dimensions	M12 x 1
Ambient temperature	-25...50 °C
Fastening torque	15 Nm
Peak pressure	500 bar

**ACCESSORIES**

Mating connector (plug female)

straight, screw terminal

Article no. 219.2978

90°, screw terminal

Article no. 219.3003

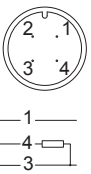
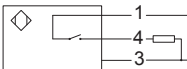
**SURFACE TREATMENT**

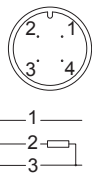
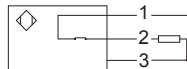
- ◆ The valve body is painted with a two component paint
- ◆ The solenoid, the flange and the cover are zinc coated
- ◆ The socket head screws are zinc coated

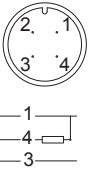
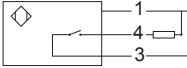
**Note!**


Other specifications see data sheet 1.11-2160

**ELECTRICAL CONNECTION**

Type:	PNP, NO (Normally open)
Designation:	Z603
Article no.:	205.5024
Device receptacle	M12, 4 pole male
Mating connector	M12, 4 pole female
	
	
	1 = Supply voltage + 2 = Reserved for extensions 3 = Supply voltage 0 VDC 4 = Signal Plus switched
Mating connector not included in delivery	

Type:	PNP, NC (Normally closed)
Designation:	Z482
Article no.:	205.5023
Device receptacle	M12, 4 pole male
Mating connector	M12, 4 pole female
	
	
	1 = Supply voltage + 2 = Signal 3 = Supply voltage 0 VDC 4 = Reserved for extensions Plus switched
Mating connector not included in delivery	

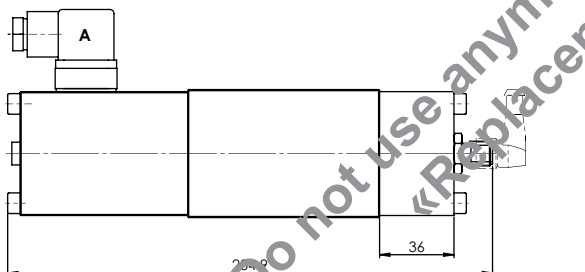
Type:	NPN, NO (Normally open)
Designation:	Z680
Article no.:	205.5026
Device receptacle	M12, 4 pole male
Mating connector	M12, 4 pole female
	
	
	1 = Supply voltage + 2 = Reserved for extensions 3 = Supply voltage 0 VDC 4 = Signal Minus switched
Mating connector not included in delivery	

**Signal characteristics**

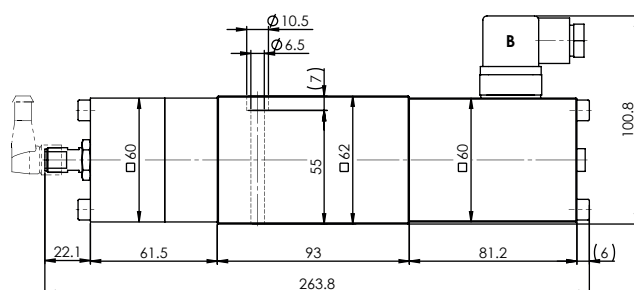
Signal of the actual (1)	Signal of the sensor	
	NO Normally open	NC Normally closed
0	S1	S1
1	0	1
1	1	0

**DIMENSIONS**

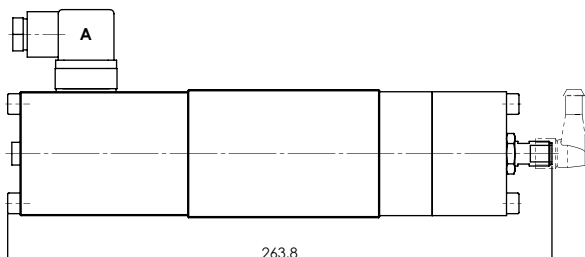
22101 (solenoid on A side)



22100 (solenoid on B side)



32101 (solenoid on A side)



32100 (solenoid on B side)

