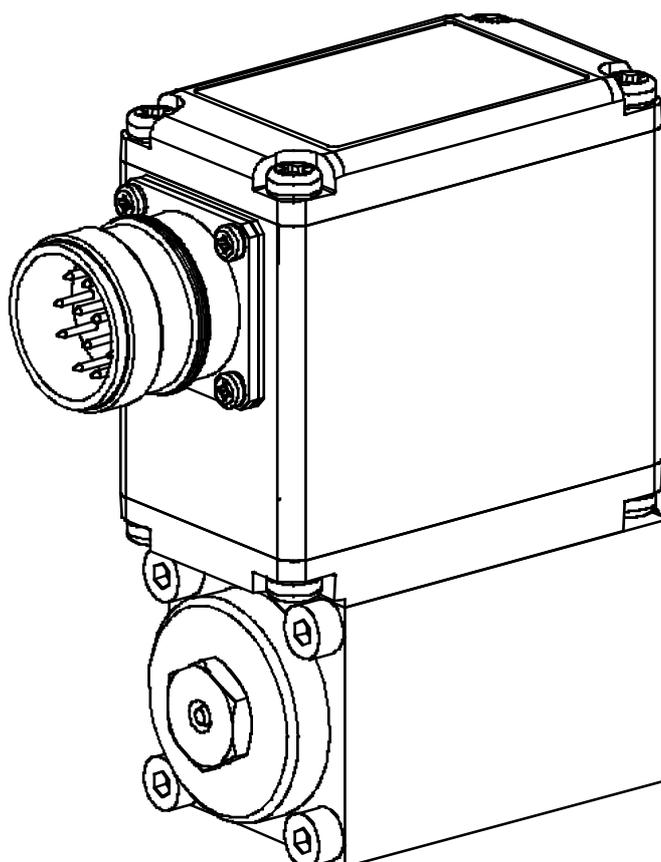


# OPERATING INSTRUCTIONS

## AMPLIFIER ELECTRONICS DSV



## Contents

<b>1</b>	<b>General information</b>	<b>4</b>
<b>2</b>	<b>Product description</b>	<b>5</b>
2.1	General .....	5
2.2	Field of application.....	5
2.3	Conformity .....	5
2.4	Labelling of the product.....	5
2.5	Type code .....	5
2.6	Technical data.....	6
2.7	Block diagram.....	8
2.8	Dimensions .....	10
<b>3</b>	<b>Safety rules</b>	<b>11</b>
3.1	Installation / Commissioning / Parameterisation.....	11
<b>4</b>	<b>Construction and Function</b>	<b>12</b>
4.1	Introduction .....	12
4.2	Description of the Function.....	12
4.3	Temperature monitoring.....	14
4.4	Characteristic optimisation.....	15
4.5	State machine.....	16
4.6	Operating mode.....	17
4.7	Analogue inputs.....	17
4.8	Cablebreak detection.....	19
4.9	Digital inputs.....	20
4.10	Outputs .....	20
4.11	Internal signals .....	20
4.12	Mode of operation.....	21
4.13	Power reduction.....	23
<b>5</b>	<b>Operating and indicating elements</b>	<b>25</b>
5.1	General .....	25
5.2	USB-interface.....	25
5.3	Connector view.....	25
<b>6</b>	<b>Commissioning</b>	<b>27</b>
6.1	Connection instructions .....	27
6.2	Connection examples.....	28
<b>7</b>	<b>Settings</b>	<b>31</b>
7.1	Introduction .....	31
7.2	Assignment of the inputs/outputs.....	31
7.3	Parameter inconsistency.....	32
7.4	Tips for the first commissioning.....	33
7.5	Default setting of the parameters.....	34
7.6	Parameters setting.....	37
7.7	Menu File .....	57
7.8	Menu Communication.....	61
7.9	Menu Configuration.....	62
7.10	Menu Commands.....	65
7.11	Fieldbus-Menu.....	68
7.12	Menu Analysis .....	69
7.13	Menu Help .....	80
<b>8</b>	<b>System does not work</b>	<b>82</b>
8.1	Procedure .....	82
<b>9</b>	<b>PASO Installation and Operation</b>	<b>83</b>
9.1	System presupposition.....	83
9.2	Installation .....	83
9.3	PASO Update.....	84
9.4	Connection to the Wandfluh card.....	85
9.5	Mode "Off Line" / "On Line".....	85
9.6	Communication start up.....	86
9.7	Communication interruption.....	88
9.8	Program description.....	89
9.9	Starting of PASO.....	90
9.10	Store parameter.....	92
9.11	Limiting value error.....	92

9.12	Used analog input not compatible to the selected signal type.....	93
9.13	Description of Commands .....	93
<b>10</b>	<b>Disposal</b>	<b>94</b>
<b>11</b>	<b>Accessories</b>	<b>95</b>
<b>12</b>	<b>Additional information</b>	<b>96</b>

## **1 General information**

This operating instructions makes it possible to use the DSV-Electronics safely and according to specification. The operating instructions includes instructions which Wandfluh as the manufacturer, or its resale organisations (Wandfluh sister companies or distributors), provide to users within their duty to instruct.

For this purpose, the operating instructions mainly includes:

- information about use according to specification, installation and commissioning of the DSV-Electronics
- information about safety in dealing with control.

## 2 Product description

### 2.1 General

The DSV-Electronics are part of the whole valve and fixed mounted on it. The connection is made via one or two receptacle depending on the control mode.

### 2.2 Field of application

Because of the compact form of construction, the field of application of the DSV-Electronics is situated in the industrial field as well as in the mobile field.

### 2.3 Conformity

The DSV-Electronics have been developed and tested in accordance with the latest technical standards. Applied in particular was the EU Guideline EN 61 000-6-2 (Immunity) and EN 61 000-6-4 (Emission).

### 2.4 Labelling of the product

With the PC parameterisation software PASO DSV, the following information can be directly read-off the DSV-Electronics (= electronic type code):

- Valve type
- Part number
- Serial number
- Software version
- Firmware version
- Card type
- Hardware configuration

### 2.5 Type code

The DSV-Electronics do not have an own type code. The information about the DSV-Electronics is integrated in the type code of the DSV-valve. You will find a detailed description of it in the data sheet of the corresponding DSV-valve (refer to <http://www.wandfluh.com/en/downloads/documentation>).

## 2.6 Technical data

### 2.6.1 General specifications

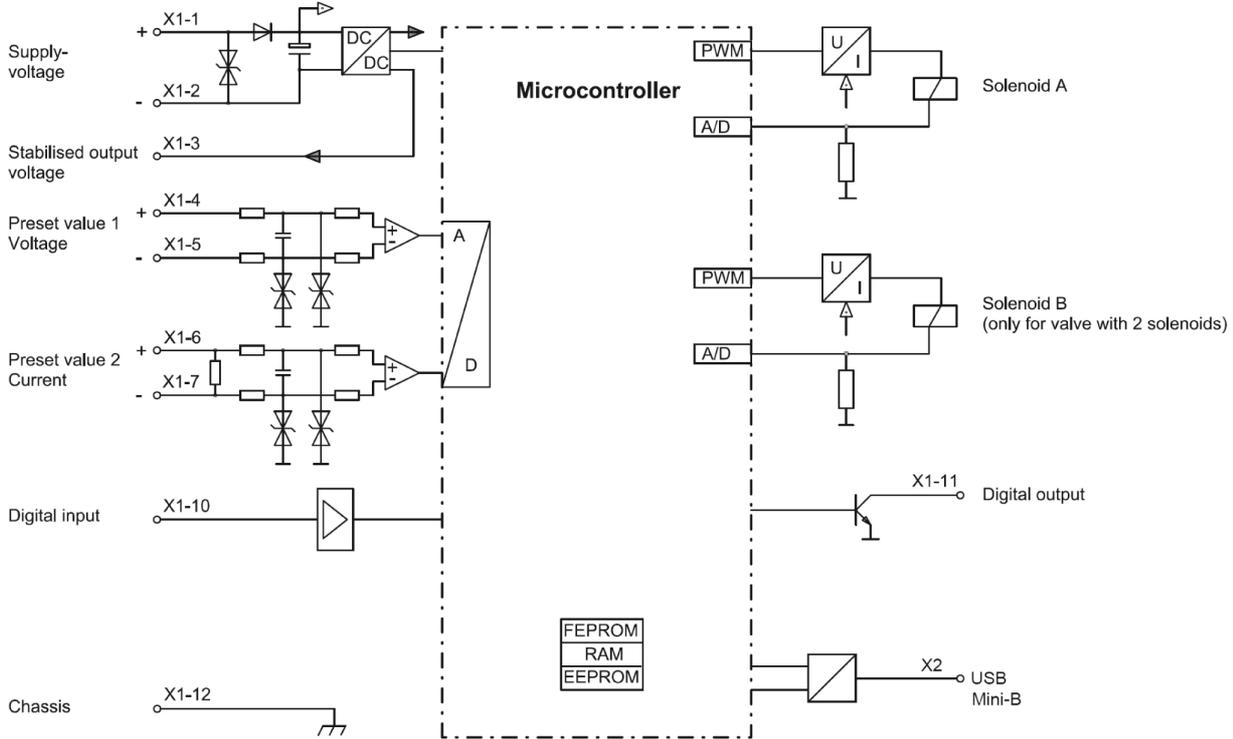
<b>Execution</b>	Integrated on the valve	
<b>Connections</b>	Receptacle  USB interface	1 x M23 12pole male (analogue interface) or 2 x M12 male (CANopen interface) or 1 x M12 male and 1 x M12 female (Profibus DP interface) Connector USB Mini-B (5 pin) (under cover of electronics housing)
<b>Ambient temperature</b>	-20 ... +65 °C	under difficult circumstances the solenoid current and with it the valve performance can if necessary be reduced (refer to section " <a href="#">Temperature monitoring</a> " <sup>[14]</sup> )
<b>Protection class</b>	IP67 to EN 60 529	with suitable connector and closed electronics housing

## 2.6.2 Electrical specifications

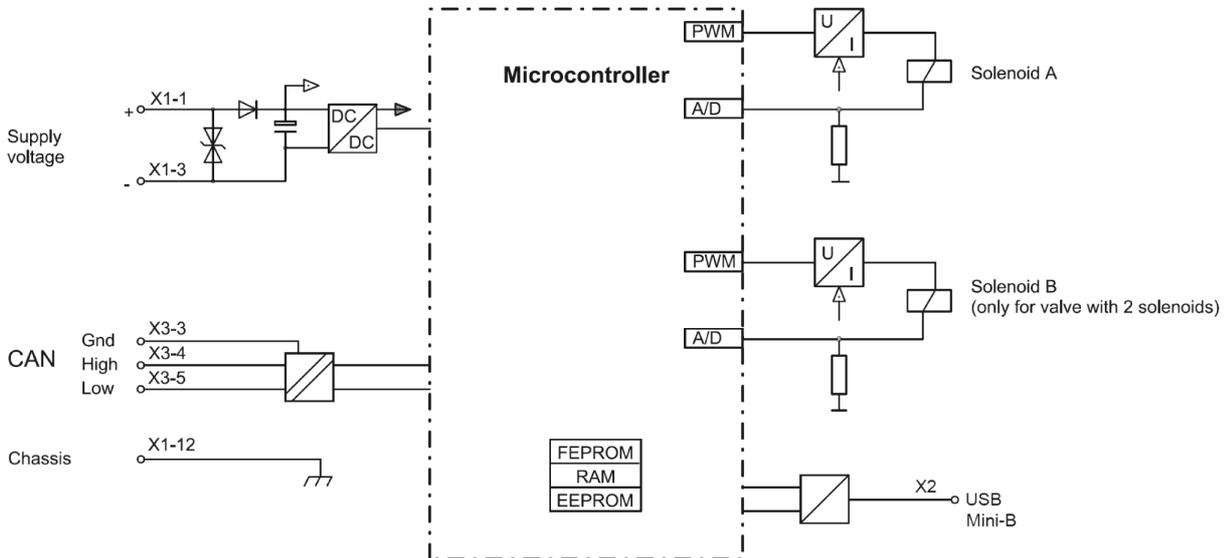
<b>Supply voltage (depending on the valve type)</b>	24 VDC or 12 VDC
<b>Voltage range</b>	Supply voltage 24 VDC: 21 ... 30 VDC Supply voltage 12 VDC: 10,5 ... 15 VDC
<b>Ripple on supply voltage</b>	< ±5 %
<b>Fuse</b>	Customer must integrate a slow fuse into his electrical system
<b>Temperature drift</b>	< 1% with $\Delta T = 40^\circ \text{C}$
<b>No load current</b>	ca. 40 ... 50 mA
<b>Max. adjustable solenoid current</b>	Mounted on PI35 solenoid (24 VDC) 1.0 A Mounted on PI45 solenoid (24 VDC) 1.2 A  Mounted on PI35 solenoid (12 VDC) 2.0 A Mounted on PI45 solenoid (12 VDC) 2.4 A
<b>Analogue inputs</b>	1 differential input 0 ... ±10 VDC 1 differential input 0/4 ... 20 mA Resolution ± 12 Bit Differential inputs not galvanically separated; made for ground potential differences up to 1.5V between the – (minus) connection differential input and 0V-ground of the DSV.
<b>Input resistance</b>	Voltage input against ground > 18 kOhm Burden for current input = 250 Ohm
<b>Digital inputs</b>	1 input high-active Switching threshold high 6 ... 30 VDC Switching threshold low 0 ... 1 VDC Utilisable as frequency input (frequencies 5...5000Hz) and as PWM-input (automatic frequency identification)
<b>USB interface</b>	USB interface (Connector Type Mini-B (5 pin)) under the cover of the electronics housing
<b>Stabilised output voltage</b>	Supply voltage 24 VDC: + 10 VDC Supply voltage 12 VDC: + 8 VDC max. load 10 mA
<b>Solenoid current</b>	Minimum current I <sub>min</sub> adjustable 0 ... max. sol. current Default setting adapted to the valve Maximum current I <sub>max</sub> adjustable I <sub>min</sub> ... max. sol. current Default setting: adapted to the valve
<b>Dither</b>	Frequenz adjustable 20 ... 500 Hz Default setting adapted to the valve Pegel adjustable 0 ... 200 mA Default setting adapted to the valve
<b>Digital outputs</b>	1 output Lowside Switch U <sub>max</sub> 40 VDC I <sub>max</sub> -0.7 A
<b>EMC Immunity Emission</b>	EN 61000-6-2 EN 61000-6-4

## 2.7 Block diagram

### Control through Analog interface:

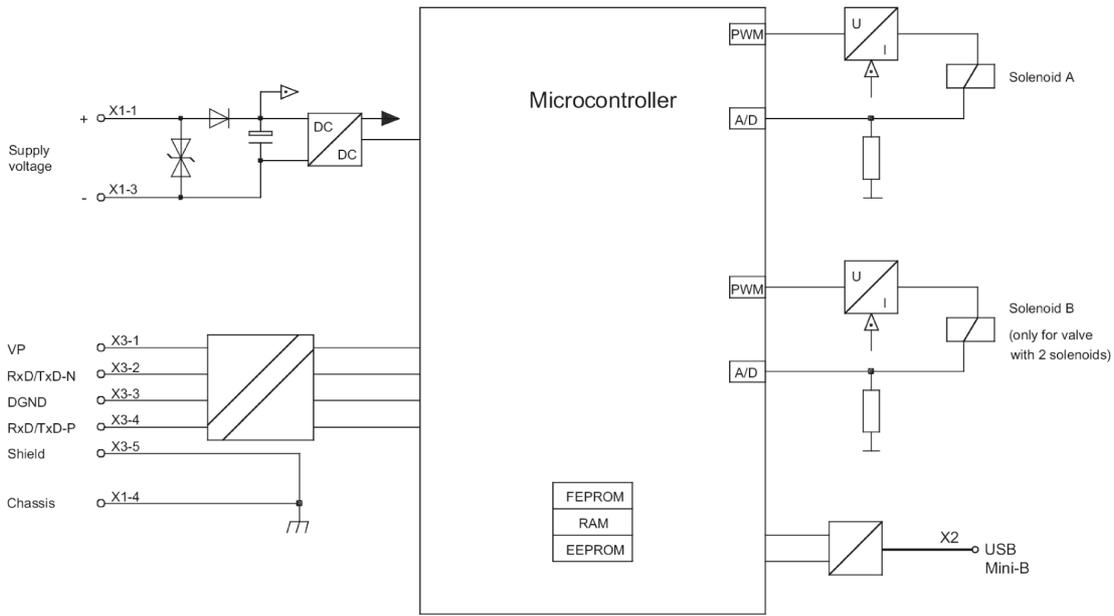


### Control through CANopen interface:



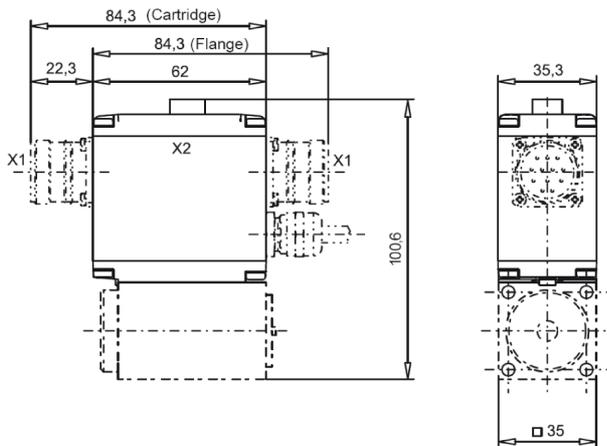


**Control through Profibus interface:**

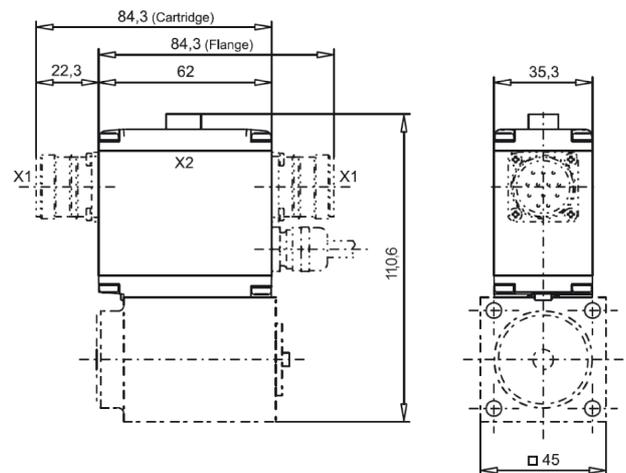


## 2.8 Dimensions

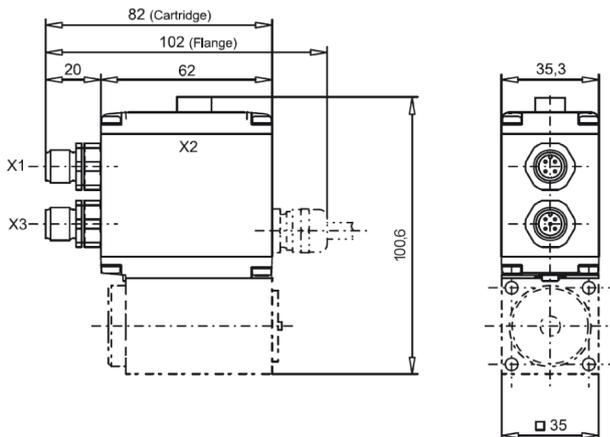
Housing 35 mm square size with analog interface



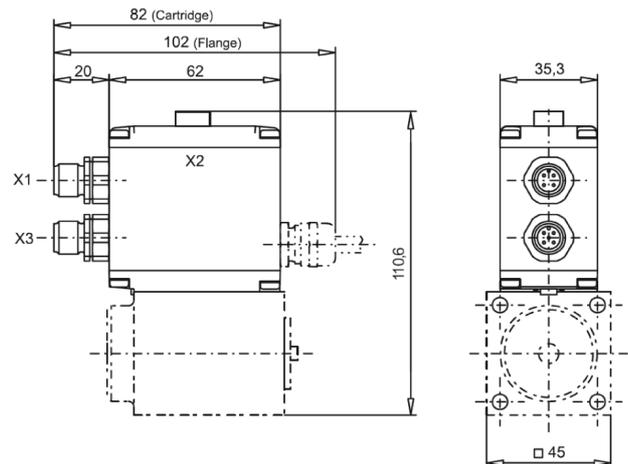
Housing 45 mm square size with analog interface



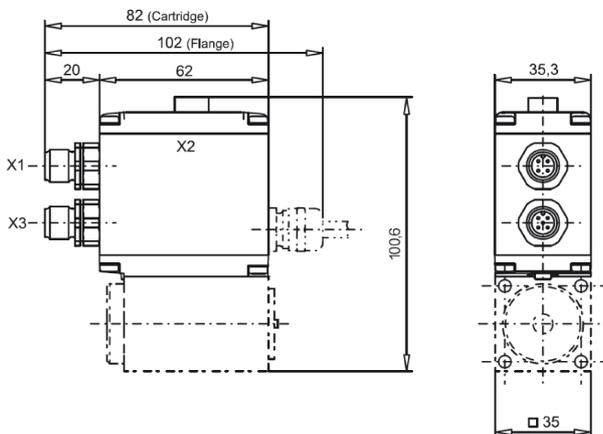
Housing 35 mm square size with CANopen interface



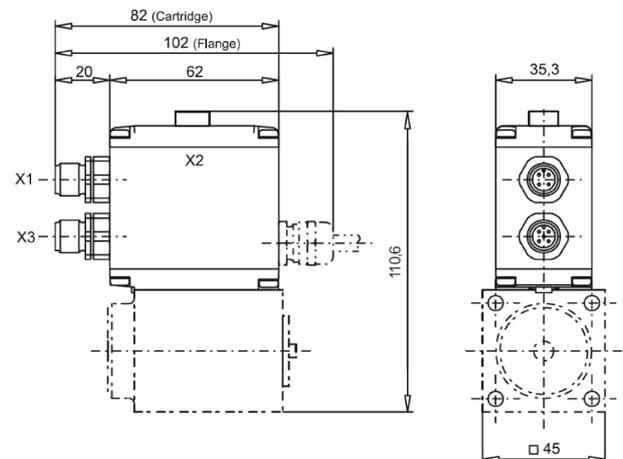
Housing 45 mm square size with CANopen interface



Housing 35 mm square size with Profibus interface



Housing 45 mm square size with Profibus interface



## 3 Safety rules

### 3.1 Installation / Commissioning / Parameterisation

- These operating instructions have to be carefully studied beforehand and the instructions are to be complied with.
- Prior to the installation, all power supply voltages and any other energy sources have to be disconnected.
- The installation/assembly must only be carried out by specialist personnel with electrical knowledge.
- Take into account precautionary measures concerning components on the module, which are subject to damage as a result of electrostatic discharge.
- Wrong manipulations by the personnel cannot be prevented by the DSV-Electronics.
- Before the switching on of the supply voltage, the fuse protection, the correct wiring and the conformity of the power supply voltage with the permissible supply voltage range have to be verified.



- **The DSV-Electronics monitors the working conditions within the electronics and within the installation. Uncontrolled movements or force changes caused by unforeseen errors of the DSV-Electronics cannot be prevented in any case.**
- **Danger for persons has to be avoided by installing an emergency stop device which cuts off the power to the system.**

## 4 Construction and Function

Refer to section "[Block diagram](#)"<sup>[8]</sup>.

### 4.1 Introduction

- The DSV-Electronics are integrated on the valve
- All inputs and outputs have to be contacted through the receptacle
- Under the lock screw of the box cover, there is a USB interface, through which the parameterisation and the diagnostics can be made by using the PC-Parameterisation software PASO
- In the factory, the DSV-Electronics are adjusted to the valve. Normally there is no need for the customer to do any adjustment himself.

### 4.2 Description of the Function

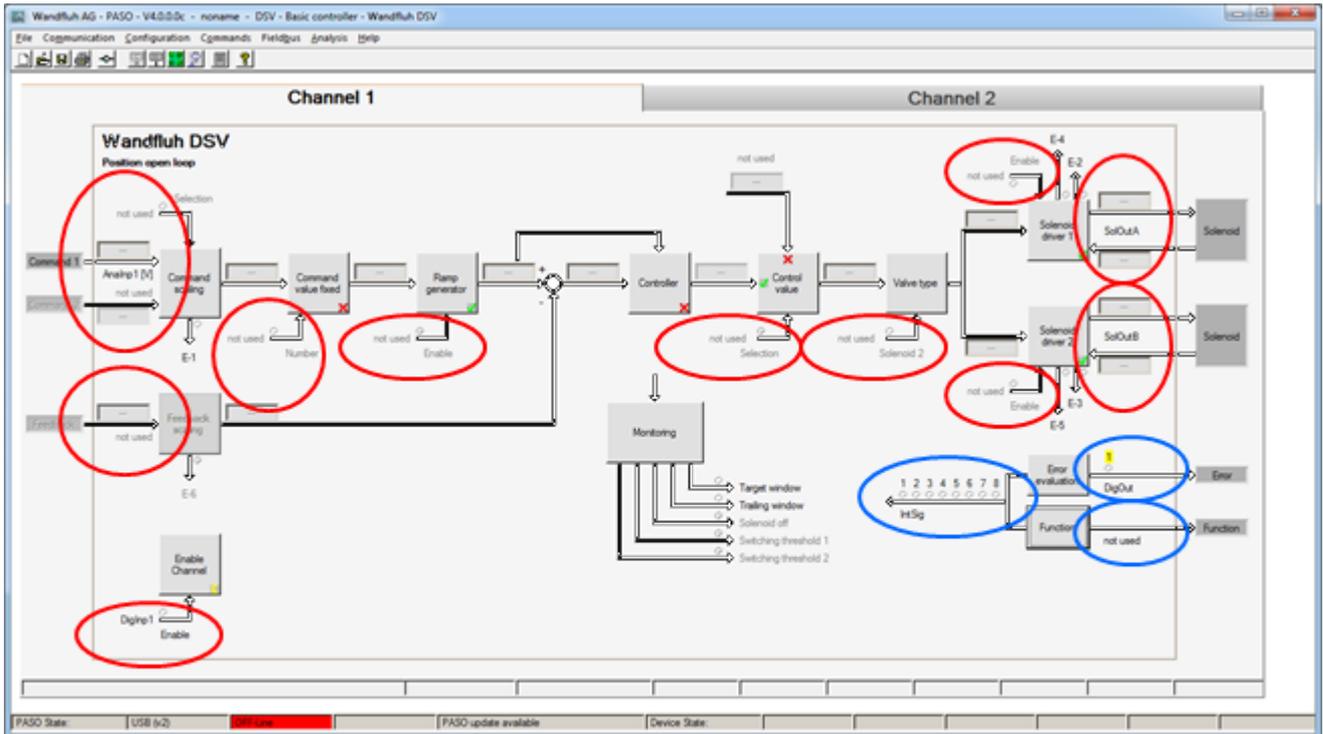
The DSV-Electronics has two channels.

Each channel has a command value input and one or two solenoid outputs. The adjustable parameters are organized in function blocks, which are displayed in PASO as small boxes. The following settings can be made per channel in these function blocks:

- Enable channel (refer to section "[Enable channel](#)"<sup>[37]</sup>)
- Command scaling (refer to section "[Command scaling](#)"<sup>[37]</sup>)
- Command value fixed (refer to section "[Command value fixed](#)"<sup>[43]</sup>)
- Ramp generator (refer to section "[Ramp generator](#)"<sup>[44]</sup>)
- Monitoring (refer to section "[Monitoring](#)"<sup>[45]</sup>)
- Control value (refer to section "[Control value](#)"<sup>[46]</sup>)
- Valve type (refer to section "[Valve type](#)"<sup>[48]</sup>)
- Solenoid driver (refer to section "[Solenoid driver](#)"<sup>[50]</sup>)
- Error evaluation (refer to section "[Error evaluation](#)"<sup>[54]</sup>)
- Function (refer to section "[Function](#)"<sup>[55]</sup>)

Each channel is independent. Only the limits by the hardware are to be considered. For example, if the Wandfluh-Electronics has only two solenoid outputs, it's not possible to operate two channels with each two solenoids. In this case the maximum is at two channels with one solenoid output per channel or one channels with two solenoid outputs per channel. The parameterisation software PASO automatically detects how many solenoids can be selected with the current settings.

The assignment of the analog and digital in- and outputs can freely be made by the user. Regarding inputs it is also possible to adjust a multiple allocation. That means digital and analogue inputs can be allocated to multiple channels (refer to section "[Assignment of the inputs/outputs](#)"<sup>[31]</sup>). Digital in- and outputs which are set or reset by software (refer to section "[Configuration - Digital E/A](#)"<sup>[62]</sup>) will be displayed with blue text color in the main window.



Inputs freely selectable

Outputs freely selectable

The command value can be a voltage-, a current-, a frequency- or a PWM-signal. the signals are individually adjustable.

The solenoid outputs includes a **pulse-width-modulated** current control with superimposed dither signal. These outputs can control either proportional or switching solenoids. The current measurement can be switched on or off. The minimal and maximal solenoid currents or pulse widths can be adjusted separately. When using switching solenoids a fully adjustable power reduction function is available.

Parameters are set by means of the parameterising software PASO. Changed parameters are stored in a non-volatile memory in order to have them available after the Wandfluh-Electronics have been switched on again. The parameterising software PASO provides to save the settings an values of the parameter in a file, which always allows to do a download or an analysis.

Some function blocks are able to generate error messages. The function block "Error evaluation" (refer to section ["Error evaluation"](#)<sup>[54]</sup>) picks up all error messages. This function block manages the error handling of the Wandfluh-Electronics.

The process data are displayed online (refer to section ["Analysis Show values"](#)<sup>[69]</sup>). This helps in case of support and diagnostics.

### 4.3 Temperature monitoring

The DSV-electronics are provided with an internal, factory set temperature monitoring. Starting from a temperature threshold of 80 °C of the internal electronics temperature the preset solenoid current ( $I_{max}$ , refer to PASO Menu "Parameters\_Valves" on page 21) is limited, depending on the temperature. The temperature of the DSV electronics is visible in the PASO data window (Menu "Analysis\_Values", page 30). Since the self-heating of the solenoid, on which the DSV electronics are mounted, has a significant influence on the electronics temperature, this current limiting reduces the electronics temperature and allows electronics to be run (with reduced solenoid current) at higher ambient temperatures. In the PASO status line is displayed if this limiting, the so called 'derating', is active. With active 'derating' the valve operating range is restricted – the effect complies with that of a reduced preset value signal range (refer to the valve data sheet). In case of 2-solenoid service the derating affects both solenoids.

Under typical operating conditions (valve mounted on hydraulic block, natural convection possible, oil temperature <70°C) the derating will usually not be activated, i.e. the internal electronics temperature is staying below the threshold of 80°C. Depending on the application, the derating activation temperature, i.e. the ambient temperature at which the internal electronics temperature exceeds the threshold of 80°C, is within the range between 45°C and 80°C.

#### REMARK:

At constant operating conditions, depending on the initial state, the thermal equilibrium, and with it the stationary temperature of the DSV-electronics, will possibly be reached only after ca. 2 hours.

In order to prevent exceeding the derating threshold, the electronics temperature can, if necessary, be reduced by one or more of the following measures:

1. Heat removal by
  - heat conduction (e.g. big hydraulic block, bigger oil flow, effect positive, up to 10°C less electronics temperature)
  - natural convection (valve not mounted in a narrow, closed box, effect positive, up to 20°C less electronics temperature)
  - forced convection (e.g. by ventilator, effect positive, up to 30°C less electronics temperature)
2. Preventing of external heating by
  - radiation (shielding from direct sun radiation resp. thermal radiation of hot objects effect up to 10°C less electronics temperature)
3. Average level reduction of solenoid current
  - Shorter power-on time of the solenoid (e.g. pressure controller with controlling time 10s, pause 10s)
  - Processing with less preset value and consequently less solenoid current
  - Overdesigned valve, allowing control with less preset value (solenoid current)

If the long-time rms-value of the solenoid current is reduced from  $I_{eff\_old}$  to  $I_{eff\_new}$ , the temperature of DSV-electronics will decrease:

$$T_{dsv\_new} = \frac{I_{eff\_new}^2}{I_{eff\_old}^2} \times (T_{dsv\_old} - T_{ambient}) + T_{ambient}$$

Description of the parameters:

- $T_{dsv\_new}$  : temperature of the DSV-electronics after reducing the solenoid current  
 $T_{dsv\_old}$  : temperature of the DSV-electronics before reducing the solenoid current  
 $T_{ambient}$  : ambient temperature  
 $I_{eff\_new}$  : reduced solenoid current rms-value  
 $I_{eff\_old}$  : original solenoid current rms-value

**Example:**

The temperature of DSV is 70°C and the ambient temperature is 30°C.

If the rms-value of the solenoid current is reduced by 10% ( $I_{\text{eff\_neu}} / I_{\text{eff\_alt}} = 0.90$ ), the DSV temperature after current reduction will be:

$$T_{\text{dsv}} = (0.90)^2 \times (70 - 30) + 30 = 62.4^\circ\text{C}$$

As a result of the number of influencing variables the maximum allowable ambient temperature can only be acquired by experiment in an appropriate application. In this sense the upper ambient temperature limit of 65°C, indicated in the data sheet, has to be interpreted as an approximate value.

**REMARK:**

If the monitored temperature exceeds the boundary of 90°C, the DSV is switched into the error state. The solenoid outputs are blocked, in order to prevent permanent electronics damage. After cooling off and acknowledging the error (refer to chapter "The system does not work" on page 33) the DSV can be started up again.

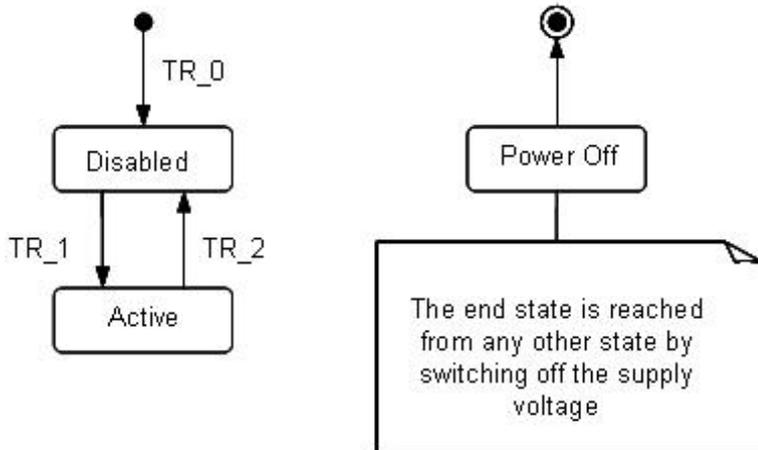
#### 4.4 Characteristic optimisation

The SD7 electronics are provided with a possibility to optimise the characteristic "Preset value input – solenoid current output". The user is able to create a characteristic (e.g. a linearised characteristic) which matches his own application. The characteristic optimisation can be turned on or off (refer to "[Parameters Solenoid driver](#)"<sup>[50]</sup>).

## 4.5 State machine

In the following, with the help of a status diagram it is described, how the start-up of the Wandfluh-Electronics takes place and which statuses are reached when and how.

**Important: Each channel has its own state machine. The states of each channel can be set separately.**



The following table describes the possible statuses and what is done in these statuses:

Status	Description
Disabled	<ul style="list-style-type: none"> <li>The assigned channel of the Wandfluh-Electronics is disabled, no solenoid current will be active</li> <li>In this status, with the command "Operation mode" (refer to section <a href="#">"Commands_Valve operation"</a><sup>[65]) the operating mode can be set</sup></li> </ul>
Active	<ul style="list-style-type: none"> <li>The assigned channel of the Wandfluh-Electronics is enabled</li> <li>The assigned channel of the Wandfluh-Electronics can be operated according to the selected operating mode</li> <li>Changing the operating mode is not possible</li> </ul>

The following table describes the transitions from one status to the next one:

Transition	Description
TR_0	Switching-on the supply voltage
TR_1	Enable This is made in the operating mode "Local" through the function "Enable Channel" (refer to section <a href="#">"Enable channel"</a> <sup>[37]) and in the operating mode "Remote PASO" through the parameter "Control mode" (refer to section <a href="#">"Commands_Valve operation"</a><sup>[65]).         </sup></sup>
TR_2	Disable This is made in the operating mode "Local" through the function "Enable Channel" (refer to section <a href="#">"Enable channel"</a> <sup>[37]) and in the operating mode "Remote PASO" through the parameter "Control mode" (refer to section <a href="#">"Commands_Valve operation"</a><sup>[65]).         </sup></sup>



## 4.6 Operating mode

The Wandfluh-Electronics have 2 operating modes. The following table describes, what can be done in the different operating modes and how they can be activated:

Operating mode	Activating with	Description
Local	Menu point "Commands_Local Operating"	Operating via analogue and digital inputs on the Wandfluh-Electronics
Remote PASO	Menu point "Commands_PASO Operating"	Operating direct with the PASO

The current operating mode is displayed in the status line (refer to section "[Starting of PASO](#)"<sup>90</sup>).

## 4.7 Analogue inputs

- The applied analogue signal is digitised in the 13-Bit ( $\pm 12$  Bit) A/D converter.  
**Attention:** By the input range 4 ... 20mA, the resolution is < 13-Bit!

- Differential inputs**

All analogue inputs are differential inputs. Differential inputs are used if the ground potential of the external command value generator does not agree with the ground on the Wandfluh-Electronics. The differential inputs are not galvanically separated; they are made for ground potential differences up to 1.5V between the - (minus) connection of the differential input and the 0V-ground of the Wandfluh-Electronics. If the differential input is intended to use like an analogue input against ground, the - (minus) connection of the differential input must be connected to the ground of the Wandfluh-Electronics. In this case please attend that the solenoid current can cause a voltage drop between the Wandfluh-Electronics and the power supply. It is recommended to connect the - (minus) connection as near as possible to the power supply.

DSV type	Analogue input 1	Analogue input 2	Analogue input 3 (only Controller Version)
Ventiltyp - XX <b>A1</b> (Amplifier)	<b>Voltage *</b>	Current	--
Ventiltyp - XX <b>A2</b> (Amplifier)	<b>Voltage *</b>	Current	--
Ventiltyp - XX <b>A3</b> (Amplifier)	Voltage	<b>Current *</b>	--
Ventiltyp - XX <b>A4</b> (Amplifier)	Voltage	<b>Current *</b>	--
Ventiltyp - XX <b>AX R1</b> (Controller)	Voltage / Current	Current / Current	<b>Current *</b>
Ventiltyp - XX <b>AX R2</b> (Controller)	Voltage / Current	Voltage / Current	<b>Voltage *</b>

\* factory default

Standalone type	Analogue input 1	Analogue input 2	Analogue input 3 (only Controller Version)
DSV30XXX <b>0</b> -AA (Amplifier)	Voltage	Current	--
DSV30XXX <b>1</b> -AA (Amplifier)	Voltage	Voltage	--
DSV30XXX <b>2</b> -AA (Amplifier)	Current	Current	--

DSV34XXX1-AA (Controller)	Voltage / Current	Voltage /Current	Current
DSV34XXX2-AA (Controller)	Voltage / Current	Voltage /Current	Voltage

The assignment of the analog inputs to the corresponding channel is free to choose (refer to section ["Assignment of the inputs/outputs"](#)<sup>[31]</sup>).

If a potentiometer is connected, a value of 1kOhm is recommended.

## 4.8 Cablebreak detection

The command value input can be detected for a cablebreak (only if Signal type = Voltage, Current, Frequency or PWM). Therefore, a lower and an upper cablebreak limit can be adjusted in the box [Signal scaling](#)<sup>[37]</sup>. A cablebreak is detected, if the input signal is smaller than the lower cablebreak limit or higher than the upper cablebreak limit.

If an cablebreak is detected, the internal error "E-1" (for command value) resp. "E-6" (for feedback value) is active (refer to section ["Error evaluation"](#)<sup>[54]</sup>).

The following conditions had to be performed:

- The parameter "Signal type" must be on "Voltage", "Current", "Frequency" or "PWM" (refer to section [Signal scaling](#)<sup>[37]</sup>)
- The parameter "Cablebreak" must be on "On" (refer to section [Signal scaling](#)<sup>[37]</sup>)
- The parameters "Lower cablebreak limit" and "Upper cablebreak limit" must be adjusted (refer to section [Signal scaling](#)<sup>[37]</sup>)
- An action must be assigned to the error "E-1" (refer to section ["Error evaluation"](#)<sup>[54]</sup>)



**Attention:** Until a cablebreak will be detected, a time delay of about 100ms will pass. During this time, the cylinder can make unintentional movements or unintentional force changes

## 4.9 Digital inputs

The function of the digital inputs and the assignment to the corresponding channel is free to choose (refer to section ["Assignment of the inputs/outputs"](#)<sup>[31]</sup>).

## 4.10 Outputs

- **Proportional solenoid outputs A and B**

The solenoid outputs have a current output pulse-width-modulated at 1000Hz with superimposed dither. The current measurement can be switched on or off.

The assignment to the corresponding channel is free to choose (refer to section ["Assignment of the inputs/outputs"](#)<sup>[31]</sup>).

- **Digital outputs**

The DSV-Electronics has one digital output. The function of the digital outputs and the assignment to the corresponding channel is free to choose (refer to section ["Assignment of the inputs/outputs"](#)<sup>[31]</sup>) or can be set fixed on 0 or 1 with the PASO (refer to section ["Configuration Digital I/O"](#)<sup>[62]</sup>).

## 4.11 Internal signals

Internal signals can be selected instead of digital inputs or outputs. They are not guided to the outside, they are processed only internally.

This allows e.g. to link a digital output to a digital input without an external connection.

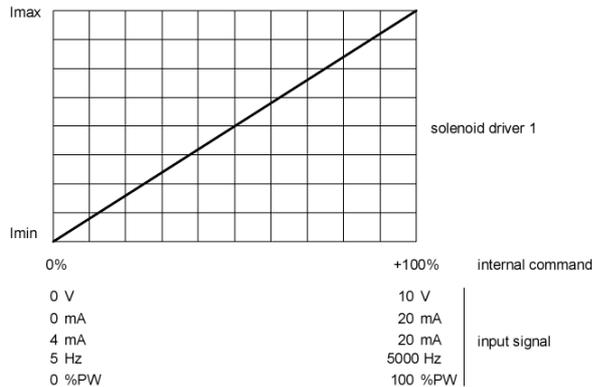
## 4.12 Mode of operation

The mode of operation can be set independently for each channel. The following 4 modes of operation are possible:

- **Mode of operation "Command unipolar (1-sol)" (Mode of operation 1)**

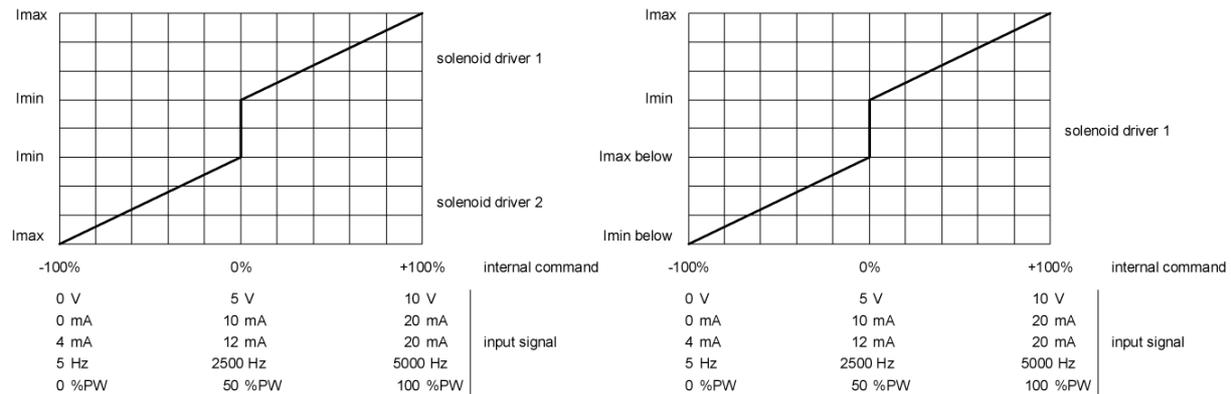
This Mode of operation is only possible, if the valve type is set to "Standard 2-solenoid" (refer to section "[Valve type](#)" 48").

With an input signal 0 ... 100% an internal command from 0 ... 100% is generated.



- **Mode of operation "Command unipolar (2-sol)" (Mode of operation 2)**

With an input signal 0 ... 100% an internal command from -100 ... +100% is generated.

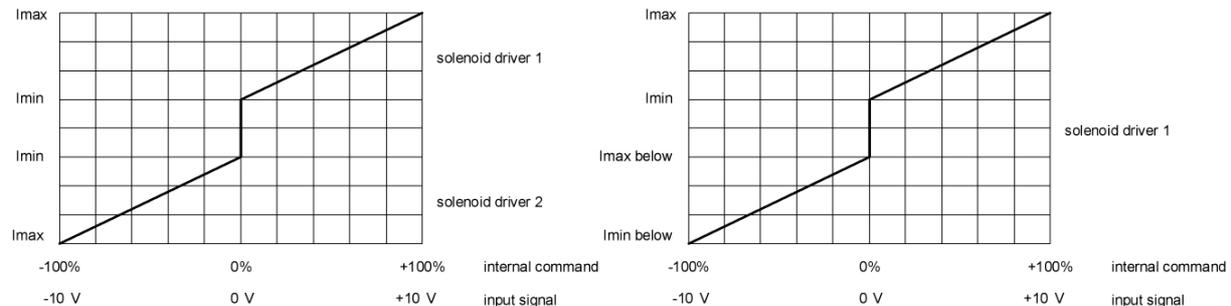


Valve type = Standard 2-solenoid

Valve type = 4/3-Wege 1-solenoid

- **Mode of operation "Command bipolar (2-sol)" (Mode of operation 3)**

With an input signal -100 ... 100% an internal command from -100 ... +100% is generated.



1

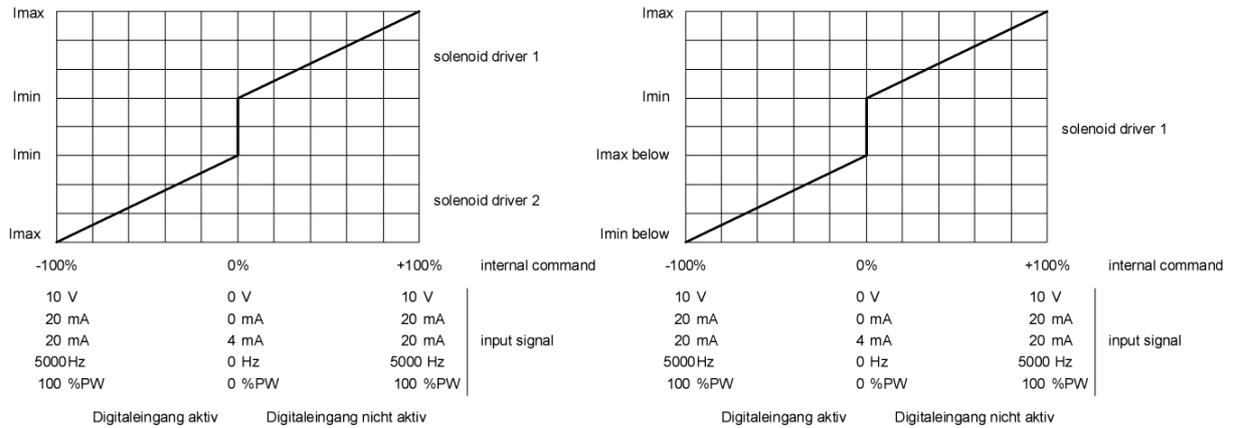
Valve type = 4/3-Wege 1-solenoid

Valve type = Standard 2-solenoid



- **Mode of operation "Command unpolar (2-sol mit DigInp)" (Mode of operation 4)**

With an input signal 0 ... +100% an internal command from 0 ... +100% (digital input not active) resp. 0 ... -100% (digital input active) is generated.



Valve type = Standard 2-solenoid

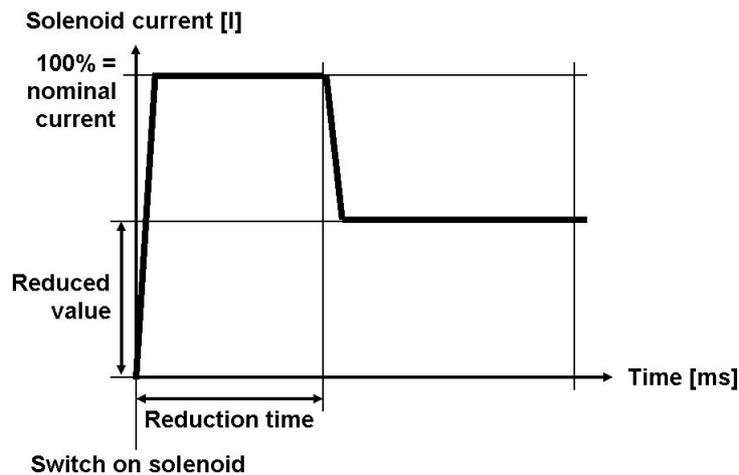
Valve type = 4/3-Wege 1-solenoid

The selection of the mode of operation is made in the box ["Valve type"](#) [48]

### 4.13 Power reduction

The power reduction can be switched on with solenoid type "Switching solenoid without current measuring".

Once the solenoid has switch on, the full solenoid current (= nominal current of the solenoid) passes through during the adjusted time (Parameter "Reduction time"). Thereafter, the current is limited to the reduced value (Parameter "Reduced value"). The reduced value refers to the nominal current of the solenoid (100% = nominal current, 50% = half nominal current).







## 5 Operating and indicating elements

### 5.1 General

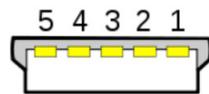
The DSV-Electronics have no operating and indicating elements. All inputs and outputs have to be contacted through the receptacle. Under the cover of the electronics housing, there is a USB interface, through which the parameterisation and the diagnostics can be made by using the PC-Parameterisation software PASO DSV.

**In the factory, the DSV-Electronics are adjusted to the valve. Normally there is no need for the customer to do any adjustment himself.**

### 5.2 USB-interface

The USB-interface is placed under the transparent plastic screw cap. It allows the parameterisation and the analysis of the DSV-electronics by PASO software. The connection to the PC is realised by standard USB-cables (USB Type A connector PC-side, USB Type Mini-B (5 pin) connector DSV-side).

View of the USB-interface:



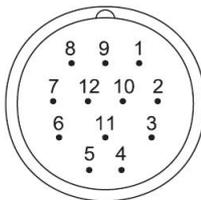
Connector USB  
Type Mini-B (5 pin)

X2-1 = VCC  
 X2-2 = D-  
 X2-3 = D+  
 X2-4 = not connected  
 X2-5 = GND

Hint: The USB-cable is not included.

### 5.3 Connector view

Analogue interface:

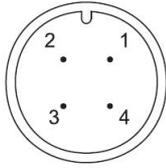


Receptacle M23, 12-pole (male) X1

#### MAIN

1 = Power supply +  
 2 = Power supply 0 VDC  
 3 = Stabilised output voltage (+10VDC)  
 4 = Preset value voltage +  
 5 = Preset value voltage -  
 6 = Preset value current +  
 7 = Preset value current -  
 8 = Reserved for options  
 9 = Reserved for options  
 10 = Enable control (digital input)  
 11 = Error or Ready signal (digital output)  
 12 = Chassis

**CANopen interface:**



Receptacle M12, 4-pole (male) X1

**MAIN**

- 1 = Supply voltage +
- 2 = Reserved for extensions
- 3 = Supply voltage 0 VDC
- 4 = Chassis

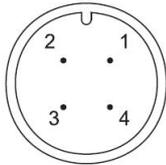


Receptacle M12, 5-pole (male) X3

**CAN**

- 1 = not connected
- 2 = not connected
- 3 = CAN Gnd
- 4 = CAN High
- 5 = CAN Low

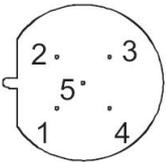
**Profibus interface:**



Receptacle M12, 4-pole (male) X1

**MAIN**

- 1 = Supply voltage +
- 2 = Reserved for extensions
- 3 = Supply voltage 0 VDC
- 4 = Chassis



Receptacle M12, 5-pole (male) X3

**PROFIBUS**

- 1 = VP
- 2 = RxD / TxD - N
- 3 = DGND
- 4 = RxD / TxD - P
- 5 = Shield

## 6 Commissioning

Please refer to section ["Safety rules"](#)<sup>[11]</sup>.

### 6.1 Connection instructions

The contact assignment of the following description refers to section ["Operating and Indicating elements"](#)<sup>[25]</sup> and to section ["Connection examples"](#)<sup>[28]</sup>.

For an **installation / connection appropriate for EMC**, the following points absolutely have to be observed:

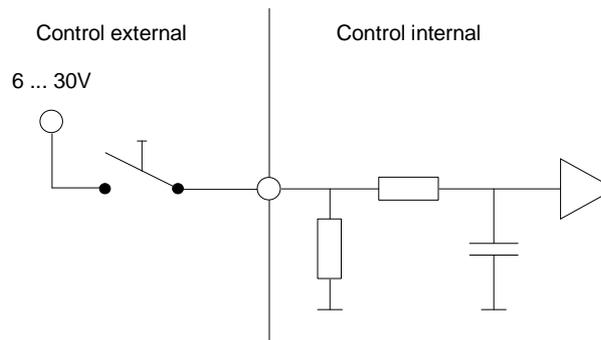
- Solenoid- and signal cables must not be laid parallel to high voltage cables.

#### 6.1.1 Supply voltage

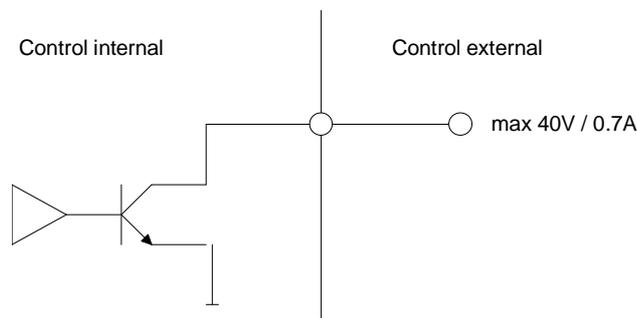
- For the dimensioning of the power supply the maximum current demand of the solenoids (in case of directional control valves only the maximum current demand of 1 solenoid) has to be increased by the no-load current of the DSV-Electronics (refer to section ["Electrical Characteristics"](#)<sup>[7]</sup>).
- The limit values of the supply voltage and its residual ripple have to be observed indispensably (refer to section ["Electrical Characteristics"](#)<sup>[7]</sup>).
- The DSV-Electronics have to be fuse protected with a slow-blow fuse.

#### 6.1.2 Digital inputs / outputs

- The digital input is "high-active" and not galvanically separated.
- For activation it has to be connected to a voltage of between 6 ... 30VDC (e.g., supply voltage)

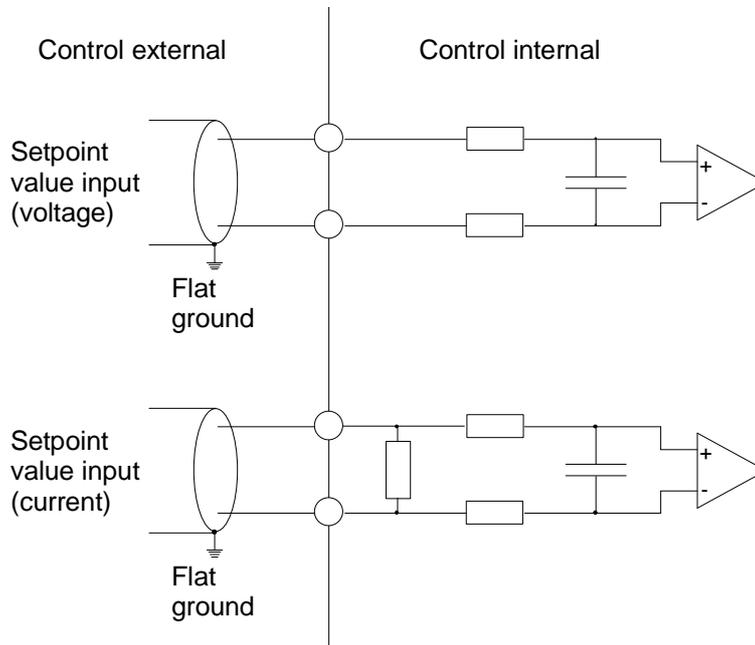


- The digital output is a "Lowside switch" - output (open - collector).



### 6.1.3 Analog inputs

- Depends on the selected card type, there are a voltage and/or current inputs available.
- All inputs are differential inputs.



### 6.1.4 Solenoid outputs

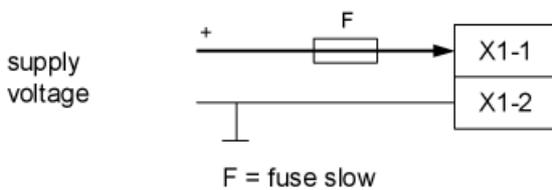
- With the DSV-Electronics the solenoids are fix connected to the electronic and must not be connected.

## 6.2 Connection examples

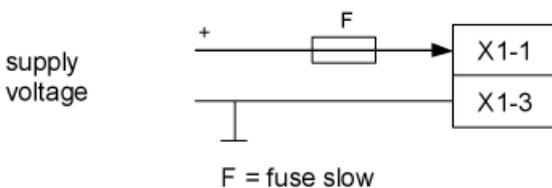
The contact assignment of the following description refers to section "[Operating and Indicating elements](#)" <sup>[25]</sup>.

### 6.2.1 Supply voltage

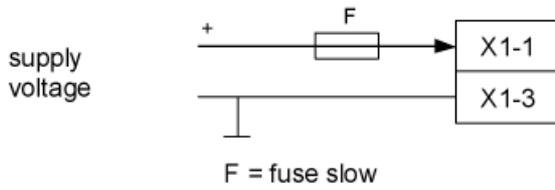
With Analog interface:



With CANopen interface:

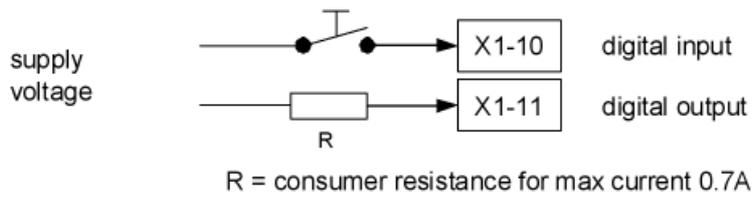


With Profibus interface:



### 6.2.2 Digital inputs / outputs

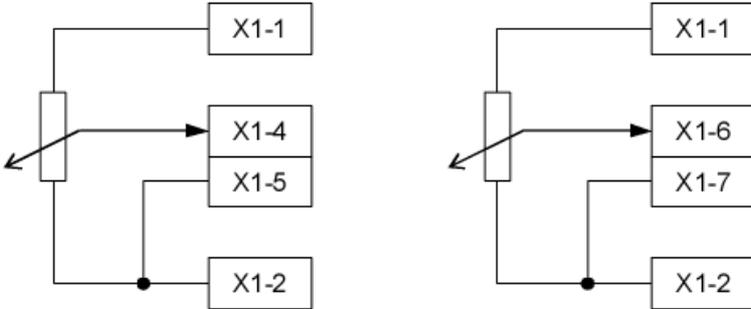
With Analog interface:



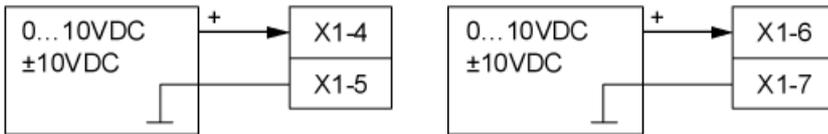
### 6.2.3 Analog inputs

With Analog interface:

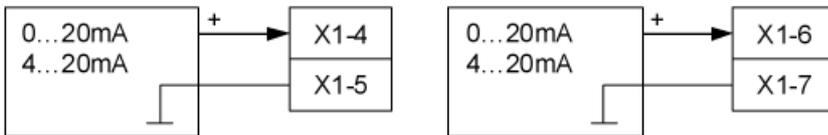
With Potentiometer on analog input With Potentiometer on analog input  
1: 2:



With external voltage on analog input With external voltage on analog input  
1: 2:



With external current on analog input With external current on analog input  
1: 2:



## 7 Settings

Please refer to section ["Safety rules"](#)<sup>[11]</sup>.

### 7.1 Introduction

- The system- and parameter settings can be made via the PC-Parameterisation software PASO. The graphic view in PASO eases the handling.
- For information about the operation via the PC-Parameterisation software PASO please refer to section ["PASO Installation"](#)<sup>[83]</sup>.
- Depending on the connected Wandfluh-Electronics, certain settings may be blocked.

### 7.2 Assignment of the inputs/outputs

The allocation of inputs and outputs is not fixed. The user can choose itself which input and output is assigned to which function. The following selection is available:

Digital inputs	DigInp1
	IntSig1
	IntSig2
	IntSig3
	IntSig4
	IntSig5
	IntSig6
	IntSig7
	IntSig8
	not used
Digital outputs	DigOut1
	IntSig1
	IntSig2
	IntSig3
	IntSig4
	IntSig5
	IntSig6
	IntSig7
	IntSig8
	not used
Analog inputs	Analnp1
	Analnp2
	not used
Solenoid outputs	SolOutA
	SolOutB
	not used

The selection "not used" means that no input or output will be assigned.

The selection "IntSig1 ... IntSig8" means internal signals. This allows e.g. to link a digital output to a digital input without an external connection.

With the digital inputs, digital outputs, internal signals and analog inputs, a double allocation is allowed. For example, DigInp1 can be used for enable channel 1 and channel 2 at the same time. Inputs and outputs with a double allocation will be displayed with a yellow background.

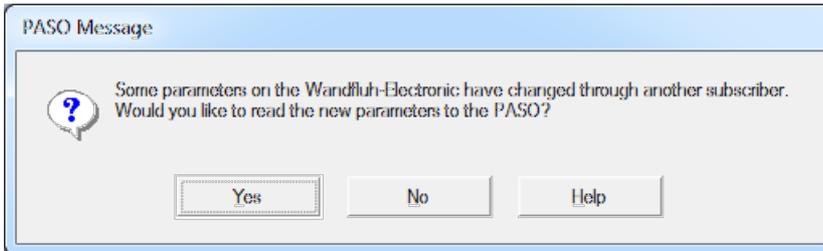
With the solenoid outputs and analog outputs, a double allocation is not allowed. If the selected output is already occupied, an error message appears.

Digital in- and outputs and internal signals, which are set or reset by software (refer to section ["Configuration - Digital E/A"](#)<sup>[62]</sup>) will be displayed with blue text color in the main window.

### 7.3 Parameter inconsistency

The parameter settings can be made via the PC-Parameterisation software PASO or via the fieldbus (only if the Wandfluh-Electronics has the fieldbus option). In any case, the current parameter values will be displayed in the PASO

If a parameter value will be changed through the fieldbus, this new value does not correspond with the displayed value in the PASO. In this case, the following message appears:



If the answer is "Yes", then the parameters will be read-in from the Wandfluh-Electronics. Possible open parameter windows in the PASO will be closed automatically. If a parameter value will be changed through the manual operation terminal after the read-in of the new parameters, this message will appear again.

If the answer is "No", then the displayed parameter values in the PASO do not correspond to the current parameter value on the Wandfluh-Electronics. This will be displayed in the status line in the field "Parameter inconsistency" (refer to section "[Starting of PASO](#)"<sup>[90]</sup>). If a parameter value will be changed through the manual operation terminal again, no further message will be appear in the PASO. But it's always possible to change also parameter values through the PASO.



## 7.4 Tips for the first commissioning

- Connect the power supply, leave the Wandfluh-Electronics still switched-off
- Switch-off the hydraulic drive (hydraulics switched-off)
- Carefully check the connections
- Switch-on the power supply
- Establish communication with PASO (connect PC and axis controller with a standard USB cable and start PASO)
  1. Select the mode of operation and the solenoid type in the box "[Valve type](#)"<sup>[48]</sup>
  2. Make the corresponding settings in the box "[Command Scaling](#)"<sup>[37]</sup>
  3. Make the corresponding settings in the box "[Fixed Command values](#)"<sup>[43]</sup>
  4. Make the corresponding settings in the box "[Ramp generator](#)"<sup>[44]</sup>
  5. Make the corresponding settings in the box "[Solenoid driver](#)"<sup>[50]</sup>
- Switch-on the hydraulic drive (hydraulics switched-on)

## 7.5 Default setting of the parameters

The DSV-Electronic will be delivered with the following default settings:

Parameter	Amplifier
Digital input 1	X
Digital output 1	X
Internal signals 1 - 8	X
Auto Reset	no
Filter type Analnp1 - Analnp2	not filter
Smoothing factor Analnp1 - Analnp2	8
	Channel 1 - 2
Enable channel	external
Dig. input enable channel	DigInp1
Channel name	Channel 1 - 2
Signal type command	voltage
Used Analog input command	Analnp1 [V]
Used Digital input command	not used
Cablebreak detection command	no
Lower cablebreak limit command	0.5 V
Upper cablebreak command	9.5 V
Deadband function command	off
Deadband threshold command	0.0 %
Min Interface command	0.000 V
Max Interface command	10.000 V
Min Reference command	0.0 %
Max Reference command	100.0 %
Function command 2	not used
Dig. input command 2	not used
Enable fixed command values	off
Selection 1 fixed command values	not used
Fixed command value 1	0.0 %
Enable ramp	on
Dig. input enable ramp	not used
Ramp up positive / negative	0.0 s
Ramp down positive / negative	0.0 s
Type Monitoring switching threshold 1	off
Selection Monitoring switching threshold 1	Command value
Function Monitoring switching threshold 1	< (less than)
Threshold Monitoring switching threshold 1	100.0 %
Delay time Monitoring switching threshold 1	50 ms
Type Monitoring switching threshold 2	off
Selection Monitoring switching threshold 2	Command value

Function Monitoring switching threshold 2	< (less than)
Threshold Monitoring switching threshold 2	100.0 %
Delay time Monitoring switching threshold 2	50 ms
Function Control value	primary
Source Control value	not used
Dig. input Control value	not used
Mode of operation	Command unipolar (2-sol)
Digital input solenoid B	not used
Solenoid type	Proportional solenoid with current measuring
Valve type	Standard 2-solenoid
Error evaluation	111111
Digital output error	DigOut1
Error action	Solenoid 1+2 off
Function "Solenoid 1 active"	not used
Function "Solenoid 2 active"	DigOut2
Function "Ready signale"	not used
Function "Command 2 active"	not used
Solenoid output 1	SolOutA
Solenoid output 2	SolOutB
	Solenoid A - B
Enable solenoid output	on
Dig. input enable solenoid output	not used
Error solenoid output	no
Inversion	no
Characteristic optimisation	off
Solenoid always active	no
Imin	150 mA
Imax	700 mA
Dither function	on
Dither frequency	80 Hz
Dither level	150 mA
Switching on threshold	60.0 %
Switching off threshold	40.0 %
Reduction time	0 ms
Reduced value	100.0 %

With a DSV-Electronic with LVDT, the following additional parameters are set:

LVDT trailing window type	off
LVDT trailing window threshold	10
LVDT trailing window delay time	1000 ms

All other LVDT parameters are optimally set at the factory and can not be changed!

In the section "[Parameter - Setting](#)"<sup>[37]</sup> and "[Configuration - Menu](#)"<sup>[62]</sup> there is a description of all the parameters.

With the menu "[Configuration - Default setting](#)"<sup>[64]</sup>, these values will be loaded on the connected DSV-Electronics and read to the PC

## 7.6 Parameters setting

By clicking with the left mouse button on the corresponding box in the channel window, the parameter values of DSV-Elektronik can be set.

### 7.6.1 Enable channel

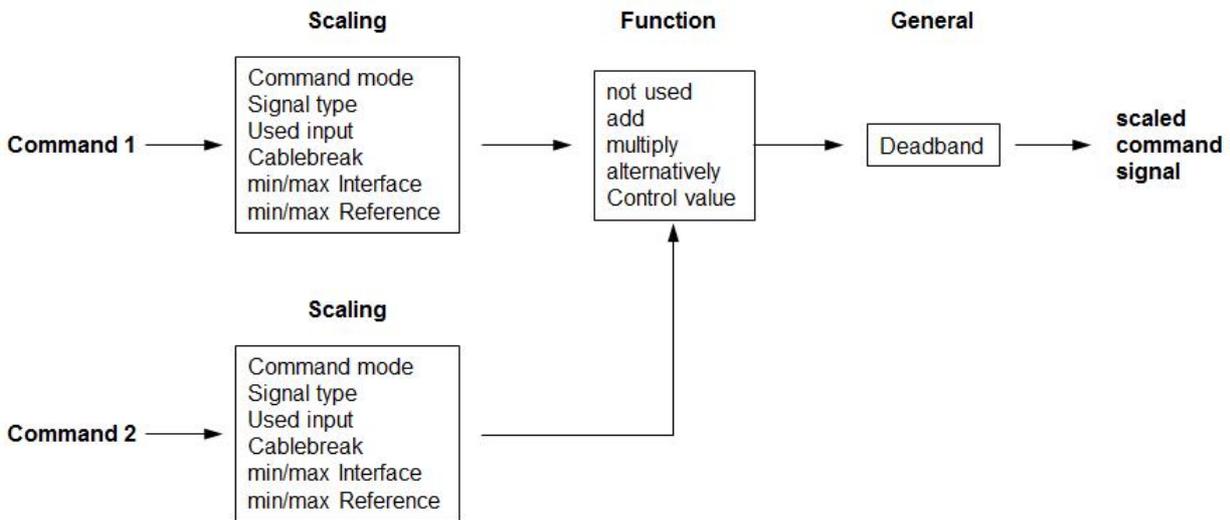
In this window, all settings specific to the channel release will be made.

Field	Parameter description	Range / Step
Operating mode (Device local)	Select the desired command value source (only valid for SD7 with Fieldbus Interface).	bus local
Enable	<p>Enable channel.</p> <p>With the selection "off", the corresponding channel is disabled and no solenoid current will be active (refer to section <a href="#">"State machine"</a> [16]).</p> <p>With the selection "on", the corresponding channel is enabled and the solenoid current will be operated according to the selected operating mode (refer to section <a href="#">"State machine"</a> [16]).</p> <p>With the selection "external", the enable of the channel is made through a high-signal on a digital input (input active = enable).</p> <p>With the selection "external inverted", the enable of the channel is made through a low-signal on a digital input (input not active = enable).</p> <p>The digital input for "external" resp. "external inverted" can be selected with the parameter "Dig. input".</p>	off  on  external  external inverted
Dig. input	<p>Active digital input for the enable if the parameter "Enable" is set to "external" or "external inverted".</p> <p>Otherwise, this setting has no effect.</p> <p>In choosing "not used", no digital input will be assigned to the enable function.</p>	refer to section <a href="#">"Assignment of the inputs/outputs"</a> [31]

### 7.6.2 Signal scaling

In this window, the adjustments and scaling values of the command value signal will be adjusted.

There are two command value inputs available. Each input can be scaled independently. How the second input is merged with the first input can be selected with the parameter "Function". If necessary, a deadband can be set on the resulting command value.



### Command 1 and Command 2

The tab Command 2 is only active if the parameter "Function" is set to "add", "multiply", "alternatively" or "speed".

Field	Parameter description	Range / Step
Command value mode (Device Local)	Select the desired command value source (only valid for SD7 with Fieldbus Interface).	local bus
Signal type	Select the desired command value signal type. If the parameter "Mode of operation" is set to "Command value bipolar (2-sol)", only the selection "Voltage" is possible (refer to section <a href="#">"Valve type"</a> <sup>[48]</sup> ).	Voltage Current Digital Frequency PWM
Used analog input	Select the desired used analog input. This control is only active, if the parameter "Signal type" is set to "Voltage" or "Current". In choosing "not used", no analog input will be assigned.	refer to section <a href="#">"Assignment of the inputs/outputs"</a> <sup>[31]</sup>
Used digital input	Select the desired used digital input. This control is only active, if the parameter "Signal type" is set to "Digital", "Frequency" or "PWM". In choosing "not used", no digital input will be assigned.	refer to section <a href="#">"Assignment of the inputs/outputs"</a> <sup>[31]</sup>

Field	Parameter description	Range / Step
Function (only adjustable on command 1)	<p>The function of the command 2 can be selected:</p> <p>Command 2 is not active. Only command 1 is available</p> <p>The value from command 2 is added to the value from command 1. A negative value on command 2 leads to a subtraction..</p> <p>The value from command 1 is multiply with the value from command 2. A value &lt; 1.0 on command 2 leads to a division. A negative value on command 2 leads to a negative command value.</p> <p>It will either work with command 1 or command 2. Switching between the two command value is done with the digital input from parameter "Dig. input".</p> <p>With the value from command 2 the control value can be limited. The adjustment range is always 0 ... active control value</p>	<p>not used</p> <p>add</p> <p>multiply</p> <p>alternatively</p> <p>Control value</p>
Dig. input (only adjustable on command 1)	<p>The desired digital inputs for switching between command 1 / command 2 can be select.</p> <p>This control is only active, if the parameter "Function" is set to "alternatively".</p>	refer to section <a href="#">"Assignment of the inputs/outputs"</a> <sup>[31]</sup>

The following adjustments can only be made if the parameter "Signal type" is set to "Voltage", "Current", "Frequency" or "PWM".

Field	Parameter description	Range / Step
Cablebreak detection	Switch on/off the cablebreak detection of the input signal (refer to section <a href="#">"Cablebreak detection"</a> <sup>[19]</sup> ).	no yes
Lower cablebreak limit	<p>Command value &lt; Lower cablebreak limit = cablebreak active</p> <p>Signal type = Voltage</p> <p>Signal type = Current</p> <p>Signal type = Frequency</p> <p>Signal type = PWM</p> <p>The adjusted value must be less than the value of the Upper cablebreak limit.</p> <p>By changing the parameter "Signal type", this value will be set to the default value (see table below).</p>	<p>0 ... 10V</p> <p>0.2V</p> <p>0 ... 20mA</p> <p>0.3mA</p> <p>5 ... 5000Hz</p> <p>0.2Hz</p> <p>0 ... 100%PW</p> <p>0.2%PW</p>

Field	Parameter description	Range / Step
Upper cablebreak limit	Command value > Upper cablebreak limit = cablebreak active  Signal type = Voltage  Signal type = Current  Signal type = Frequency  Signal type = PWM  The adjusted value must be greater than the value of the Lower cablebreak limit. By changing the parameter "Signal type", this value will be set to the default value (see table below).	0 ... 10V 0.2V 0 ... 20mA 0.3mA 5 ... 5000Hz 0.2Hz 0 ... 100%PW 0.2%PW
min interface	Indicates the input signal value for "Min Reference".  Signal type = Voltage (with <a href="#">Mode of operation</a> <sup>[21]</sup> = 3)  Signal type = Voltage ( <a href="#">Mode of operation</a> <sup>[21]</sup> = 1, 2 or 4)  Signal type = Current  Signal type = Frequency  Signal type = PWM  By changing the parameter "Signal type", this value will be set to the default value (see table below).	-10 ... 10V 0.2V 0 ... 10V 0.2V 0 ... 20mA 0.3mA 5 ... 5000Hz 0.2Hz 0 ... 100%PW 0.2%PW
max interface	Indicates the input signal value for for "Max Reference".  Signal type = Voltage (with <a href="#">Mode of operation</a> <sup>[21]</sup> = 3)  Signal type = Voltage ( <a href="#">Mode of operation</a> <sup>[21]</sup> = 1, 2 or 4)  Signal type = Current  Signal type = Frequency  Signal type = PWM  By changing the parameter "Signal type", this value will be set to the default value (see table below).	-10 ... 10V 0.2V 0 ... 10V 0.2V 0 ... 20mA 0.3mA 5 ... 5000Hz 0.2Hz 0 ... 100%PW 0.2%PW
Min Reference	Indicates the absolute command value at "Min Interface".  <a href="#">Mode of operation</a> <sup>[21]</sup> = 1  <a href="#">Mode of operation</a> <sup>[21]</sup> = 2, 3 or 4  The min reference command value has to be smaller than the max reference command value.	0.0 ... 100.0% 0.1% -100.0 ... +100.0% 0.1%

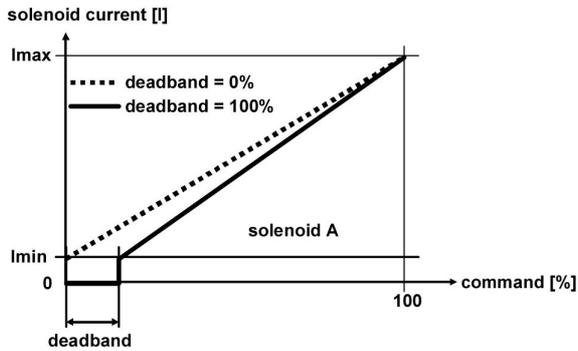


Field	Parameter description	Range / Step
Max Reference	Indicates the absolute command value at "Max Interface".  <a href="#">Mode of operation</a> $\overline{21}$ = 1  <a href="#">Mode of operation</a> $\overline{21}$ = 2, 3 or 4  The max reference command value has to be larger than the min reference command value.	0.0 ... 100.0% 0.1% -100.0 ... +100.0% 0.1%

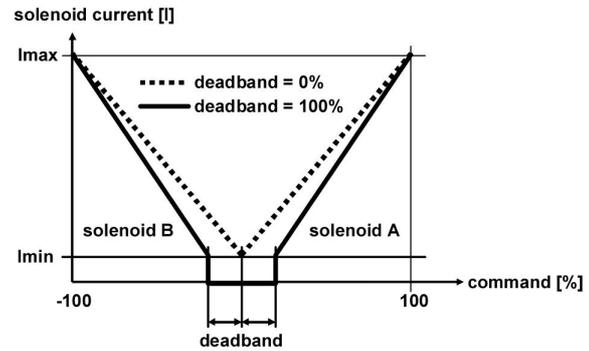
## General

These adjustments apply to the command value after merging command 1 and command 2.

Deadband function	Switch on/off the deadband function	off on
Deadband	Command value < Deadband = 0 mA solenoid current Command value >= Deadband = Imin..Imax solenoid current	0 ... 50% 0.1%



1-solenoid version



2-solenoid version

## Default values for scaling parameters

	Signal type			
	Voltage	Current	Frequency	PWM
Lower cablebreak limit	0.5 V	3.5 mA	10 Hz	10 %PW
Upper cablebreak limit	10 V	20 mA	5000 Hz	100 %PW
min interface	0 V	0 mA	5 Hz	5 %PW
max interface	10 V	20 mA	5000 Hz	95 %PW

### 7.6.3 Command value fixed

In this window, all settings specific to the command values fixed will be made. Command values fixed can be used in place of the external command value. They serve to pretend of predefined, fixed set command values.

Field	Parameter description	Range / Step
Enable	Enable command values fixed. With the selection "off", the command value fixed function is switched off, that means the input command value is 1:1 redirected to the output. With the selection "on", the command value fixed function is switched on, that means the output value is dependent on the digital inputs.	off on
Selection 1	Active digital input for command value fixed 1, if the parameter "enable = 1". Otherwise, this setting has no effect. In choosing "not used", no digital input will be assigned to the command value fixed 1.	refer to section " <a href="#">Assignment of the inputs/outputs</a> " [31]
Fixed command value 1	Value for the fixed command value 1. The adjusted %-value correspond to the adjusted solenoid current range (0% = 0mA, 0.1% = I <sub>min</sub> , 100% = I <sub>max</sub> ). A positive value will activate solenoid driver 1, a negative value will activate solenoid driver 2 Can only be adjusted if "Selection 1" is not set to "not used".	0 ... 100% for 1 solenoid -100 ... +100% for 2 solenoid 0.1%

#### 7.6.4 Command generator

In this window, all adjustments according to the ramp function will be made.

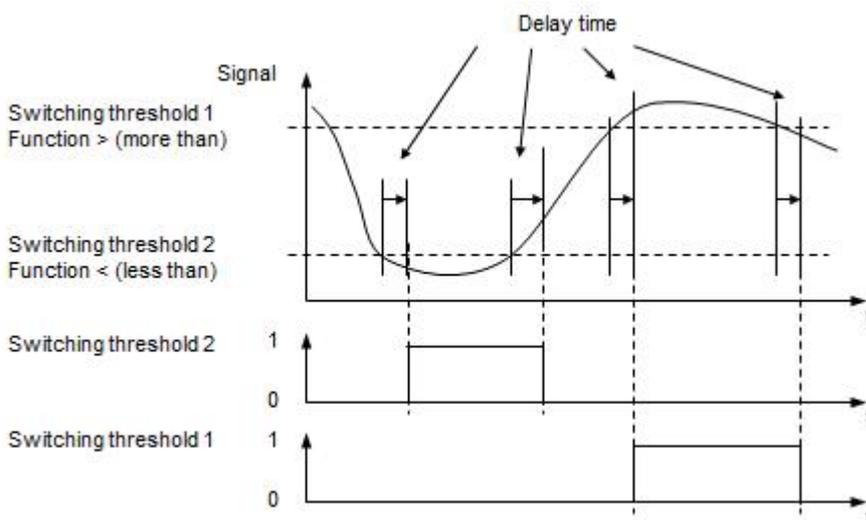
Field	Parameter description	Range / Step
Enable	<p>Enable ramp function.</p> <p>With the selection "off", the ramp function is switched off, that means the input command value is redirected to the output without a delay.</p> <p>With the selection "on", the ramp function is switched on, that means the input command value is redirected to the output with a delay.</p> <p>With the selection "external", the enable of the channel is made through a high-signal on a digital input (input active = enable).</p> <p>With the selection "external inverted", the enable of the channel is made through a low-signal on a digital input (input not active = enable).</p> <p>The digital input for "external" resp. "external inverted" can be selected with the parameter "Dig. input".</p>	<p>off</p> <p>on</p> <p>external</p> <p>external inverted</p>
Dig. input	<p>Active digital input for the enable if the parameter "Enable" is set to "external" or "external inverted". Otherwise, this setting has no effect. In choosing "not used", no digital input will be assigned to the enable function.</p>	refer to section <a href="#">"Assignment of the inputs/outputs"</a> [31]
Rampe up positive	The set ramp time refer to a command value jump from 0% to 100% for the solenoid from the solenoid driver 1.	0 ... 500s 0.05s
Rampe down positive	The set ramp time refer to a command value jump from 0% to 100% for the solenoid from the solenoid driver 1.	0 ... 500s 0.05s
Rampe up negative	The set ramp time refer to a command value jump from 0% to 100% for the solenoid from the solenoid driver 2.	0 ... 500s 0.05s
Rampe down negative	The set ramp time refer to a command value jump from 0% to 100% for the solenoid from the solenoid driver 2.	0 ... 500s 0.05s

### 7.6.5 Monitoring

#### Signals

Two independent switching thresholds can be monitored. In both, the same settings are possible:

Type	Switch on/off the switching threshold monitoring  No monitoring of the switching threshold  If the selected signal is smaller or higher (refer to "Function") than the adjusted threshold, the error E-12 will be set. This signal can be routed to a digital output (refer to section <a href="#">"Error evaluation"</a> <sup>[54]</sup> ).  If the selected signal is smaller or higher (refer to "Function") than the adjusted threshold, the state "Switching threshold x" will be set. The state can be routed to a digital output (refer to section <a href="#">"Function"</a> <sup>[55]</sup> ).	off  on with error  on without error
Selection	Selection of the the monitored signal  Input signal from command value 1 Input signal from command value 2 Output signal after command scaling Input signal from feedback value 1 Input signal from feedback value 2 Output signal after feedback scaling	Input command value 1 Input command value 2 Scaled command value Input feedback value 1 Input feedback value 2 Scaled feedback value
Function	Selection of condition that leads to the activation  Signal < adjusted threshold value = active Signal > adjusted threshold value = active	< ( less than ) > ( more than )
Threshold	Defines the value by which the selected signal is compared. This value is set to default if the signal is changed (parameter "Selection").	Adapted to unit
Delay time	Delay time when exceeding or falling of the switching threshold	0 ... 10000ms 1ms



### 7.6.6 Control value

In this window, the selection can be made which control value will be reused

Field	Parameter description	Range / Step
Function	The control value from the current channel is used	primary
	The control value from the channel selected with the parameter "Source" is used	secondary
	With the digital input selected with the parameter "Dig. input" the selection can be made, if the control value from the current channel (digital input not active) or the control value from the channel selected with the parameter "Source" (digital input active) is used. The changeover takes place independent of the device status (Disabled or Active, refer to section " <a href="#">State machine</a> " (16)).	alternatively
	With the digital input selected with the parameter "Dig. input" the selection can be made, if the control value from the current channel (digital input active) or the control value from the channel selected with the parameter "Source" (digital input not active) is used. The changeover takes place independent of the device status (Disabled or Active, refer to section " <a href="#">State machine</a> " (16)).	alternatively inverted
	With the digital input selected with the parameter "Dig. input" the selection can be made, if the control value from the current channel (digital input not active) or the control value from the channel selected with the parameter "Source" (digital input active) is used. The changeover takes place only in the status "Disabled" (refer to section " <a href="#">State machine</a> " (16)).	alternatively (only Disabled)
	With the digital input selected with the parameter "Dig. input" the selection can be made, if the control value from the current channel (digital input active) or the control value from the channel selected with the parameter "Source" (digital input not active) is used. The changeover takes place only in the status "Disabled" (refer to section " <a href="#">State machine</a> " (16)).	alternatively inverted (only Disabled)
	The control value from the current channel and the control value from the channel selected with the parameter "Source" are compared. The lower value is used. With this, it is possible to build e.g. a pQ-Controller or an Alternating control. For more details please refer to the document "Applications examples for Wandfluh Electronics cards".	minimum bildner
	The control value from the current channel and the control value from the channel selected with the parameter "Source" are compared. The higher value is used.	maximum bildner
	offset	
	offset bidirectional	

	<p>The control value from the channel selected with the parameter "Source" is added to the control value from the current channel (refer to table below).</p> <p>The control value from the channel selected with the parameter "Source" is added as an absolute value to the control value from the current channel (refer to table below).</p>	
Source	Selection of the channel, from which the control value is used. Is only active if the parameter "Source" is not set to "primary". In choosing "not used", no channel will be assigned.	Channel x not used
Dig. input	Active digital input for the selection of the control value source, unless the parameter "Function" is set to "alternatively" or "alternatively inverted". Otherwise this setting has no effect. In choosing "not used", no digital input will be assigned.	refer to section <a href="#">"Assignment of the inputs/outputs"</a> <sup>[31]</sup>

## Function "offset"

Control value 1	Control value 2	Resulting control value
+50%	+10%	60%
+50%	-10%	40%
-50%	+10%	-40%
-50%	-10%	-60%

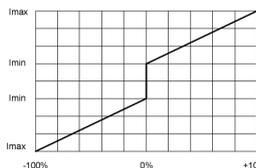
## Function "offset bidirectional"

Control value 1	Control value 2	Resulting control value
+50%	+10%	60%
+50%	-10%	40%
-50%	+10%	-60%
-50%	-10%	-40%

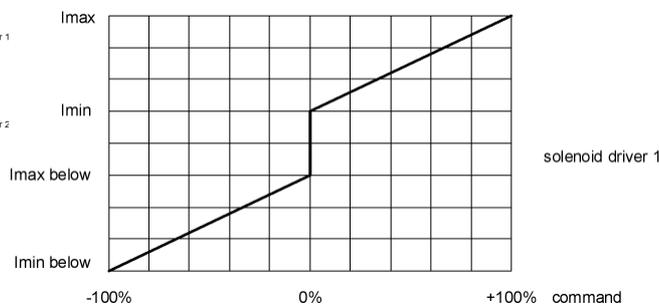
### 7.6.7 Valve type

In this window, all settings specific to the valves will be made

Field	Parameter description	Range / Step
Mode of operation	Select the desired mode of operation (refer to section " <a href="#">Mode of operation</a> " <sup>[21]</sup> ). The signal type can be changed automatically it depends on the selected mode of operation.	Command unipolar (1-sol) Command unipolar (2-sol) Command bipolar (2-sol) Command unipolar (2-sol with DigInp)
Solenoid B	Active digital input for the solenoid B selection if the parameter "Mode of operation = Command unipolar (2-sol with DigInp)". Otherwise, this setting has no effect. In choosing "not used", no digital input will be assigned to the solenoid B selection.	refer to section " <a href="#">Assignment of the inputs/outputs</a> " <sup>[31]</sup>
Solenoid type	Select the desired solenoid type	Proportional solenoid without current measurement Proportional solenoid with current measurement Switching solenoid without current measurement
Valve type	Valve type of the connected valve  Standard valve with one or two solenoids  4/3-way valve (2-solenoid function) with only one solenoid	Standard 2-solenoid  4/3-way 1-solenoid
Controller mode (Device control mode)	Select the desired Controller mode (only valid for SD7 with Fieldbus Interface).	Spool valve open loop Pressure/flow valve open loop



Standard 2-solenoid



4/3-way 1-solenoid

### 7.6.8 LVDT

In this window, all settings specific to the LVDT will be made. It is only with a DSV-electronics with LVDT available and can be opened with the key "LVDT" from the valve type window (refer to section "[Valve type](#)"<sup>[48]</sup>);

**Attention:** Most LVDT parameters are optimally set at the factory and can not be changed!



Field	Parameter description	Range / Step
Trailing window Type	Switch on/off the LVDT trailing window function  A trailing error will not be detected  A trailing error will be detected and the error E-9 will be set during an active trailing error. This signal can be routed to a digital output (refer to section " <a href="#">Error evaluation</a> " <sup>[54]</sup> ).  A trailing error will be detected, but the error E-9 will not be set. The state can be routed to a digital output (refer to section " <a href="#">Function evaluation</a> " <sup>[55]</sup> ).	off  on with error  on without error
Trailing window threshold	Defines the trailing window.	Inc
Trailing window delay time	Delay time when falling below and exceeding the target window threshold.	0 ... 10000ms 1ms

### 7.6.9 Solenoid driver

In this window, all settings specific to the solenoids will be made

Field	Parameter description	Range / Step
Solenoid output	Select the desired solenoid output for the current channel. In choosing "not used", no solenoid output will be assigned to the current channel.	refer to section <a href="#">"Assignment of the inputs/outputs"</a> <sup>[31]</sup>
Enable	<p>Solenoid enable</p> <p>With the selection "off", the selected solenoid output is disabled and no solenoid current will be active.</p> <p>With the selection "on", the selected solenoid output is enabled and the solenoid current will be operated according to the selected operating mode.</p> <p>With the selection "external", the enable of the channel is made through a high-signal on a digital input (input active = enable).</p> <p>With the selection "external inverted", the enable of the channel is made through a low-signal on a digital input (input not active = enable).</p> <p>The digital input for "external" resp. "external inverted" can be selected with the parameter "Dig. input".</p>	<p>off</p> <p>on</p> <p>external</p> <p>external inverted</p>
Dig. input	<p>Active digital input for the enable if the parameter "enable = external".</p> <p>Otherwise, this setting has no effect. In choosing "not used", no digital input will be assigned to the enable function..</p>	refer to section <a href="#">"Assignment of the inputs/outputs"</a> <sup>[31]</sup>
Inversion	<p>Inversion of the solenoid output</p> <p>0% command = lmin, 100% command = lmax</p> <p>0% command = lmax, 100% command = lmin</p>	<p>no</p> <p>yes</p>
Solenoid always active	<p>The behavior of the non-active solenoid can be set.</p> <p>With the selection "no", the current of the non-active solenoid is set to 0.</p> <p>With the selection "yes", the current of the non-active solenoid is set to lmin (with parameter "Inversion" = no) resp. to lmax (with parameter "Inversion" = yes).</p>	<p>no</p> <p>yes</p>
Characteristic optimisation	Switch on/off the characteristic optimisation (refer to section <a href="#">"Characteristic optimisation"</a> <sup>[15]</sup> )	<p>off</p> <p>on</p>

The following adjustments can only be made if the parameter "Solenoid type" is set to "Proportional solenoid":

Field	Parameter description	Range / Step
Cablebreak detection	Switch on/off the cablebreak detection on the solenoid output. This parameter can only be set with a solenoid type "Proportional solenoid with current measurement" (refer to section " <a href="#">Valve type</a> " <sup>[48]</sup> )	no yes
Imin	Set minimum solenoid current A. (= solenoid current by 0% command value) With a solenoid type "... without current measurement" (refer to section " <a href="#">Valve type</a> " <sup>[48]</sup> ), this parameter can be set from 0 ... 100% duty cycle Using the menu <a href="#">Commands - Valve operation</a> <sup>[65]</sup> the Imin can be adjusted very easily. With a valve type "4/3-way 1-solenoid" (refer to section " <a href="#">Valve type</a> " <sup>[48]</sup> ), this parameter corresponds to the solenoid current by 0% command value.	0 ... 950mA 3mA  I <sub>max</sub> below < I <sub>min</sub> < I <sub>max</sub>
I <sub>max</sub>	Set maximum solenoid current A. (= solenoid current by 100% command value) For the max. current refer to section " <a href="#">Electrical specifications</a> " <sup>[7]</sup> . With a solenoid type "... without current measurement" (refer to section " <a href="#">Valve type</a> " <sup>[48]</sup> ), this parameter can be set from 0 ... 100% duty cycle Using the menu <a href="#">Commands - Valve operation</a> <sup>[65]</sup> the I <sub>max</sub> can be adjusted very easily. With a valve type "4/3-way 1-solenoid" (refer to section " <a href="#">Valve type</a> " <sup>[48]</sup> ), this parameter corresponds to the solenoid current by 100% command value.	I <sub>min</sub> ... max. current 3mA  I <sub>min</sub> < I <sub>max</sub>
I <sub>min</sub> below	Is only active with a valve type "4/3-way 1-solenoid" (refer to section " <a href="#">Valve type</a> " <sup>[48]</sup> ). This parameter corresponds to the solenoid current by - 0.1% command value.	0 ... 950mA 3mA I <sub>min</sub> below < I <sub>max</sub> below
I <sub>max</sub> below	Is only active with a valve type "4/3-way 1-solenoid" (refer to section " <a href="#">Valve type</a> " <sup>[48]</sup> ). This parameter corresponds to the solenoid current by - 100% command value.	I <sub>min</sub> below ... max. current 3mA I <sub>min</sub> below < I <sub>max</sub> below < I <sub>min</sub>
Dither function	Switch on/off the dither function	off on
Dither frequency	The dither frequency can be set in steps..	2, 4, 6, 8, 10, 12, 14, 16, 18, 20, 25, 30, 35, 40, 45, 50, 55, 60, 70, 80, 100, 125, 165, 250, 500Hz
Dither level	Level of the superimposed dither signal With a solenoid type "... without current measurement" (refer to section " <a href="#">Valve type</a> " <sup>[48]</sup> ), this parameter can be set from 0 ... 100% duty cycle	0 ... 399mA 2mA

The following adjustments can only be made if the parameter "Solenoid type" is set to "Switching solenoid":

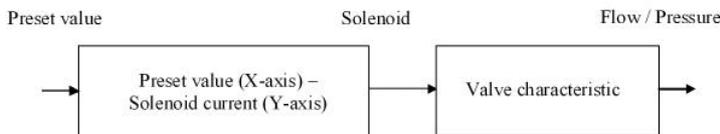
Field	Parameter description	Range / Step
Switching on threshold	Command value > Switching on threshold = solenoid output active	0 ... 100%
Switching off threshold	Command value > Switching off threshold = solenoid output not active	0 ... 100%
Reduction time	After this time the PWM output will be reduced to the value which is set by parameter "reduction value" (refer to section <a href="#">"Power reduction"</a> [23]).	0...2000ms
Reduced value	The PWM output will be reduced to this value after the time which is set by parameter "reduction time" (refer to section <a href="#">"Power reduction"</a> [23]).	0...100%

### Characteristic optimisation:

This menu enables the optimisation of the solenoid current adjustment of DSV-Electronics. A graphic is shown which represents the characteristic "Preset value (X-axis) – Solenoid current (Y-axis)". The graphic consists of 11 points, the first and the last point (100%) are preset.

Index	X-Axis value	Y-Axis value
0	0	0
10	100	100

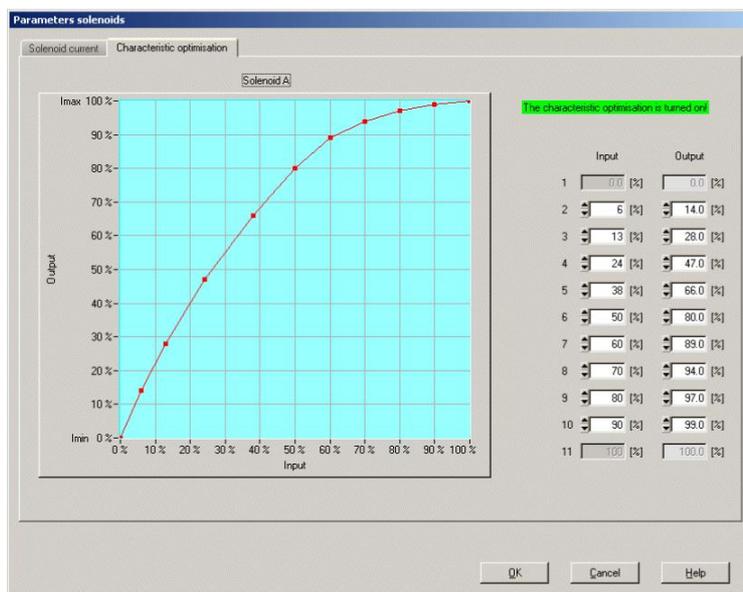
The other graphic points can be adjusted either by tracking with the mouse or by entering the value at the numeric inputs. The resolution of the X-values is in %, those of the Y-values in 0.1 %. The X-values cannot be falling.



At shipping ex work (default settings) the preset value is transmitted proportionally to the solenoid current (default characteristic). In this case the characteristic "Preset value (X-axis – Solenoid current (Y-axis))" is linear. The same behaviour occurs at any time when the characteristic optimisation is turned off.

By modifying the default linear characteristic "Preset value (X-axis) – Solenoid current (Y-axis)" e.g. a progressive valve characteristic "Current - Flow/Pressure" can be compensated in such a way that a linear relation between preset value and Flow / Pressure is realised. The characteristic "Preset value (X-axis) – Solenoid current (Y-axis)" in this case should be adjusted in the "opposite progressive" direction (refer to the example characteristic below).

Additionally the characteristic optimisation must be turned on. This will be shown in the PASO-Status line (refer to section "[Starting of PASO](#)" (90)).



The solenoid current values are in the range Imin (0%) up to Imax (100%). Imin and Imax are adjusted in the menu "Solenoid current". At an input value which is between two graphic points, the solenoid current is interpolated. If two or more preset values overlap, at the corresponding Preset value the highest current value is calculated.

In the case of an error in the characteristic values, the characteristic optimisation is automatically turned off.

### 7.6.10 Error evaluation

In this window, all settings specific to the error evaluation will be made.

Solenoid 1 = selected solenoid output from the solenoid driver 1 (refere to section ["Solenoid driver"](#)<sup>[50]</sup>)

Solenoid 2 = selected solenoid output from the solenoid driver 2 (refere to section ["Solenoid driver"](#)<sup>[50]</sup>)

Field	Parameter description	Range / Step
Selection	The errors can be selected, which lead to activate the selected digital output in the active state E-1 = Cablebreak from <a href="#">Signal scaling</a> <sup>[37]</sup> E-2 = Short circuit from <a href="#">Solenoid driver 1</a> <sup>[50]</sup> E-3 = Short circuit from <a href="#">Solenoid driver 2</a> <sup>[50]</sup> E-4 = Cablebreak <a href="#">Solenoid driver 1</a> <sup>[50]</sup> E-5 = Cablebreak <a href="#">Solenoid driver 2</a> <sup>[50]</sup> E-11 = Device error * E-12 = Switching threshold	E-1 E-2 E-3 E-4 E-5 E-11 E-12
Dig. output	If a selected error is active, this digital output will be activated. In choosing "not used", no digital output will be assigned to the error.	refer to section <a href="#">"Assignment of the inputs/outputs"</a> <sup>[31]</sup>
Error handling	The desired error handling with a cablebreak error can be set.  With the error "Short circuit from Solenoid driver 1" and "Short circuit from Solenoid driver 2", the error handling is fixed set to "Solenoid 1+2 off"	Solenoid 1+2 off Solenoid 1 on ** Solenoid 2 on ** Solenoid 1+2 on **

\* Device error:

In this selection, all errors are brought together who are not dependent on the channel (= device error). These are:

- Power supply fault
- Fieldbus error

\*\* on

The solenoid is activated with 2/3 from the range  $I_{min} .. I_{max}$  ( $I_{min} + 2/3 \times (I_{max} - I_{min})$ )

Example:

$$I_{min} = 100\text{mA}, I_{max} = 700\text{mA} \Rightarrow 100 + 2/3 \times (700 - 100) = 500\text{mA}$$

On the right side of each selection, the current status of the corresponding error is displayed (only in On-Line mode).

An active error is indicated as follows:

- the button "Diagnostics" is red
  - the corresponding current state of the error is red
  - in the status line per channel the text "Error" is displayed (instead of "Ready")
  - the box "Error evaluation" has a red frame
  - in the main window a red point appears for the corresponding error
- With the button "Diagnostics", a complete description of all present errors will be displayed (only in On-Line mode, refer to section ["Analysis Diagnostics"](#)<sup>[77]</sup>).

### 7.6.11 Function

Digital outputs can be activated, when a certain function is running. Several functions can be set at the same time. If a function should not be evaluated, the corresponding digital output can be set to "not used".

Solenoid 1 = selected solenoid output from the solenoid driver 1 (refer to section ["Solenoid driver"](#)<sup>[50]</sup>)

Solenoid 2 = selected solenoid output from the solenoid driver 2 (refer to section ["Solenoid driver"](#)<sup>[50]</sup>)

Field	Parameter description	Range / Step
Selection	<p>The functions can be selected, which lead to activating the selected digital output. Each function can be assigned to a separate digital output.</p> <p>Solenoid 1 active The solenoid output 1 is active (the analysis value 8 is not 0, refer to section <a href="#">"Analysis Show values"</a><sup>[69]</sup>)</p> <p>Solenoid 2 active The solenoid output 1 is active (the analysis value 8 is not 0, refer to section <a href="#">"Analysis Show values"</a><sup>[69]</sup>)</p> <p>Ready signal No error is present</p> <p>Command value 2 active In the function with two command values, the activation of the second command value is displayed here (refer to section <a href="#">"Command scaling"</a><sup>[37]</sup>)</p> <p>Switching threshold 1 active The selected signal is exceeding or falling of the adusted threshold (refer to section <a href="#">"Windows"</a><sup>[45]</sup>)</p> <p>Switching threshold 2 active The selected signal is exceeding or falling of the adusted threshold (refer to section <a href="#">"Windows"</a><sup>[45]</sup>)</p> <p>Control value 2 active Insted of the control value from the current channel, the control value from the channel selected with the parameter "Source" is used</p>	<p>refer to section <a href="#">"Assignment of the inputs/outputs"</a><sup>[31]</sup></p>

On the right side of each selection, the current status of the selected output is displayed (only in On-Line mode).





## 7.7 Menu File

Contained in the File menu are the menu points, which concern the file handling and the printing of the parameters. In the "On Line"-mode, some of these menu points are blocked.

### 7.7.1 New

This menu point is active only in the "Off Line"-mode.

With this command, a new file can be opened. Near it, all parameters are set to default values. A question will be displayed, if the current configuration will be retain or not.

If "Yes" will be selected, the current configuration will not be changed.

If "No" will be selected, a selection window will be displayed. In this window, the following configuration can be selected.

Device	<b>DSV</b> <b>Standalone</b>
Function	<ul style="list-style-type: none"><li>• Amplifier</li><li>• Controller</li><li>• with/without LVDT (only if Device = DSV)</li></ul>
Analogoutputs	<ul style="list-style-type: none"><li>• Input 1 voltage</li><li>• Input 1 current</li><li>• Input 2 voltage</li><li>• Input 2 current</li><li>• Input 3 voltage (only if Function = Controller)</li><li>• Input 3 current (only if Function = Controller)</li></ul>
Number of solenoids	<ul style="list-style-type: none"><li>• 1-Solenoid</li><li>• 2-Solenoid</li></ul>
Mode of operation	<ul style="list-style-type: none"><li>• without mode of operation 'Solenoid single' (only if Device = Standalone and Function = Amplifier)</li><li>• with mode of operation 'Solenoid single' (only if Device = Standalone and Function = Amplifier)</li></ul>
Fieldbus	<ul style="list-style-type: none"><li>• without Fieldbus</li><li>• with CANopen</li><li>• with Profibus DP</li><li>• with J1939</li></ul>
Supply voltage	<ul style="list-style-type: none"><li>• 12 VDC</li><li>• 24 VDC</li></ul>

**The modified configuration only affects the "Off Line"-mode. By switching to "On Line"-mode the configuration of the connected Wandfluh-Electronics will be read in.**

### 7.7.2 Open

This menu point is only active in the "Off Line"-mode.

With this command, an existing file from a storage medium is opened. First the file selection window appears. In this window the required file can now be selected and opened with "OK".

If the selected file was stored with older PASO DSV/SD6, the message "The selected file was created with an older PASO version. To open it must first be converted. Would you like to continue?". With "No" the operation is aborted. With "Yes" the parameters will be imported (same procedure as read parameters, see the next section). After successfully importing the parameters can be stored newly.

**Attention:** A file stored with the PASO can not be opened with the older PASO DSV/SD6!

If the selected file WAS stored with a current PASO , the read procedure will be started. If the configuration of the selected file does not correspond to the current configuration of the PASO SD7, a message will be displayed and the current configuration from the PASO SD7 will change automatically over to the new configuration of the selected file. The read parameter values will be checked in the case of a limiting value excess. If one or more parameter values are outside the tolerance, a message will be displayed and the parameter value will be set to the default value (refer to section "[Limiting value error](#)"<sup>[92]</sup>). The parameter values can now be edited and changed as required under the corresponding menu points.

Wandfluh can create application specific parameters files in accordance to customer wish.

### 7.7.3 Save

With this command, the parameters are saved on a data storage medium. All parameter values of all input windows are saved under the current file name. If no file name has been defined yet, then first the file selection window appears (refer to section "[File Save as...](#)"<sup>[58]</sup>).

### 7.7.4 Save as..

With this command, the parameters are saved on a data storage medium. All parameter values of all input windows are saved under the file name entered.

First the file selection window appears. In this window the desired file name can now be entered. If the file name is entered without an extension, then the extension ".par" is automatically assigned to it. After actuating the button "Save", the file information window appears (refer to section "[File-Info](#)"<sup>[59]</sup>). In this window the required entries can now be made. With the button "Save", the file is then finally saved under the selected file name. With the button "Cancel", one changes back to the file window.

### 7.7.5 Print

With this command, the current parameters are printed in ASCII text format. The File\_Print window is opened. In this window one can now select, whether the printing process is to be to a printer or to a file.

If the output is to be to a printer, then the Windows printer selection window is opened.

If the output is to be to a file, then the file selection window appears. In this window the desired file name can now be entered. If the file name is entered without an extension, then automatically the extension ".txt" is assigned to it.

### 7.7.6 File-Info

With this command, the file information of an existing file is displayed. The file information consists of the following parts:

- Date, time: Date, time of saving.
- File name: The file name, under which the file has been saved.
- Card type: The card type of the connected Wandfluh-Electronics at the moment of saving. If no Wandfluh-Electronics are connected, then this indication remains empty. In case of saving during "On Line Operation", this indication is updated.
- Operator: The name of the originating person.
- Remarks: Possibility to enter remarks concerning the file.

When the File\_Info window appears during the execution of the command "[File Save as...](#)"<sup>[58]</sup>, then the corresponding entries can be made in the various fields (with the exception of "Date", "Time", "File name" and "Card type", which cannot be edited). When the File\_Info window appears during the execution of the command "[File File-Info](#)"<sup>[59]</sup>, then the various fields cannot be edited.

### 7.7.7 Settings

#### 7.7.7.1 Language

In this window, the language can be selected, with which the PASO will be inscribed. This setting is automatically saved and accepted with a new start.

Field	Parameter description	Range / Step
Language	Field, from which the desired language can be selected.	deutsch english français

### 7.7.7.2 Messages

In this window, the selection can be made if the Info messages resp. the Warnings should be displayed or not

Field	Parameter description	Range / Step
Info messages 	Info messages are normally displayed in a separate window. They contain information on a particular topic. If e.g. the parameter "Mode of operation" is changed, the info message "The scaling parameters will be adapted!" appears. All these info messages must be closed with the "OK" button. If "Hide info messages" is selected, these info messages do not appear. In the background, however, the corresponding action is still executed  Info messages are not displayed Info messages are displayed	          hide show
Warnings 	Warnings are normally displayed in a separate window. They contain a warning on a particular topic. If e.g. in the signal recording the signal selection is changed, the warning "Your recording data will be discarded!" appears. All these warnings must be closed with the "OK" button. If "Hide warnings" is selected, these warnings do not appear. In the background, however, the corresponding action is still executed  Warnings are not displayed Warnings are displayed	          hide show

### 7.7.8 Exit

With this command, the PASO is terminated. If parameter data have been changed and have not yet been saved, then the question appears, as to whether these data should be saved. This is referring only to the save in file. On the Wandfluh-Electronics, the parameter will be saved automatically by clicking on the button "OK" in the corresponding windows (refer to section ["Store parameter"](#)<sup>92)</sup>).

## 7.8 Menu Communication

Im Konfigurations Menu werden alle Einstellungen vorgenommen, welche die Funktion der DSV-Elektronik betreffen.

### 7.8.1 Device overview

An overview of all connected WANDFLUH devices is displayed (refer to section "[Communication start up](#)"<sup>[86]</sup>),

### 7.8.2 Datarecord-Info

This menu point is only active in the "On Line"-mode.

Under this menu the current data set information of the connected Wandfluh-Electronics appears. The data correspond to the last change to the Wandfluh-Electronics data carried out.

Card type: The valve type of the connected Wandfluh-Electronics at the moment of saving  
Date: Date of last change. (Format DD.MM.YYYY)  
Time: Time of last change (Format HH:MM.SS)  
Filename: The file name under which the parameters were saved at the last change.  
If the file name is longer than 27 characters, the characters' "»" will be inserted at the end.

### 7.8.3 Activate Off Line / Actuvate On Line

#### Off Line

With this command, the connection with the Wandfluh-Electronics is interrupted. All menu points, which call for a communication with the Wandfluh-Electronics, are blocked. The PASO software now runs in the "Off Line mode". The loading, saving and the editing of parameter files is possible in this mode.

#### On Line

With this command, the connection with the Wandfluh-Electronics is established. If several Wandfluh-Electronic devices are connected via the USB-Interface, the selection of all available devices appears (refer to section "[Communication start up](#)"<sup>[86]</sup>).

The communication with the Wandfluh-Electronics is briefly tested. If the connection works, then the user has the option of read in the parameters from the Wandfluh-Electronics (UPLOAD PARAMETERS) or of transferring the parameters to the Wandfluh-Electronics (DOWNLOAD PARAMETERS). During the transfer of the parameters, the user has the possibility of aborting the operation.

During UPLOAD PARAMETERS the PASO software automatically adapts to the selected device type. If the parameters have been accepted, they are checked for a limit value violation. If one or several parameters are outside the corresponding tolerance, they are replaced with standard values and a message is issued (refer so section "[Limiting value error](#)"<sup>[92]</sup>). PASO runs in the "Off Line"-mode. To enter in this case the "On Line" mode, the parameters must be sent to the WANDFLUH-Electronics (DOWNLAOD PARAMETERS). If the transfer is successful and the check is correct, the PASO software now runs in the "On Line mode". The loading of parameter files is not possible in this mode.

During DOWNLAOD PARAMETERS, the connected device type must correspond to the current configuration of the PASO software. If this is not the case, no communication is possible. The valve specific parameters lmin, lmax, Dither frequency, Dither level and deadband are aligned to the valve from the factory. If these parameters will be overwritten, the valve charakeristik will changed. Therefore, another selection window appears, in which the selection can be made whether these values should be overwritten or not. During the transmission of the parameters to the connected WANDFLUH electronics, all solenoid outputs on the WANDFLUH electronics are disabled for safety reasons. If the transer is successful, the PASO software now runs in the "On Line mode". The loading of parameter files is not possible in this mode.

The current mode will be displayed in the status line.

## 7.9 Menu Configuration

In this window, the settings of the function of the DSV-Electronics will be made.

### 7.9.1 Digital I/O

With this command the digital inputs and outputs of the connected Wandfluh-Electronics are activated, not activated or enabled.

Field	Parameter description	Range / Step
Digital inputs	Set digital input by software	1
	Reset digital input by software	0
	Activate external digital input	X
Digital outputs	Set digital output with software	1
	Reset digital output with software	0
	The digital output is set in case of the selected function	X
	The digital output is set inverted in case of the selected function	!X
Internal signals	Set internal signal by software	1
	Reset internal signal by software	0
	Internal signal is set in case of the selected function	X

Digital in- and outputs which are set or reset by software will be displayed with blue text color in the main window

### 7.9.2 Binary operations

In this window, digital signals can be logically linked (a digital output or internal signal is set in dependence on one or two digital inputs or internal signals).

Field	Parameter description	Range / Step
Output	Output, to which the result of the logical operation is outputted. In choosing "not used", the function is switched off	refer to section " <a href="#">Assignment of the inputs/outputs</a> " <sup>[31]</sup>
Inv	By selecting "Inv", the selected output can be inverted	
Input 1	First operand of the logically operation. In choosing "not used", no input will be assignend to the first operand.	refer to section " <a href="#">Assignment of the inputs/outputs</a> " <sup>[31]</sup>
Inv	By selecting "Inv", the selected input can be inverted	
Input 2	Second operand of the logically operation. In choosing "not used", no input will be assignend to the second operand.	refer to section " <a href="#">Assignment of the inputs/outputs</a> " <sup>[31]</sup>
Inv	By selecting "Inv", the selected input can be inverted	
Function	Desired logical operation (refer to <a href="#">truth tables</a> <sup>[62]</sup> ):	
	Link two signals with AND	AND
	Link two signals with OR	OR
	Link two signals with EXCLUSIV OR	XOR
	INVERT one signal	NOT
	In choosing "not used", the function is switched off	

The following truth tables shoes all possible operation the state of the output in dependence of the operands

AND

Output	Operand 1	Operand 2
not active	not active	not active
not active	active	not active
not active	not active	active
active	active	active

Output Inv	Operand 1	Operand 2
active	not active	not active
active	active	not active
active	not active	active
not active	active	active

OR

Output	Operand 1	Operand 2
not active	not active	not active
active	active	not active
active	not active	active
active	active	active

Output Inv	Operand 1	Operand 2
active	not active	not active
not active	active	not active
not active	not active	active
not active	active	active

XOR

Output	Operand 1	Operand 2
not active	not active	not active
active	active	not active
active	not active	active
not active	active	active

Output Inv	Operand 1	Operand 2
active	not active	not active
not active	active	not active
not active	not active	active
active	active	active

NOT

Output	Operand 1
active	not active
not active	active

### 7.9.3 Filter for analog inputs

In this window the adjustments for the filter of the analog inputs can be set.

Field	Parameter description	Range / Step
Filter type	The filtering of the corresponds analog input can be switch on or off (refer to section " <a href="#">Analog inputs</a> " <sup>[17]</sup> ):	
	No filtering on the analog input is active	no filter
	The analog input is filterd with the function "exponential smoothing"	Exponential smoothing
Smoothing factor	Determines the speed / response time of the filter - high value = high degree of filtering, but long response time (the reading of the analog input is delayed) - small value = low degree of filtering, but fast response time	8
		16
		32
		64

The two parameters can be set separately for each existing analog input.

### 7.9.4 General errors

In this menu the handling of general errors can be set.

Feld	Parameter Beschreibung	Bereich / Schrittweite
Auto reset	If the supply voltage rises above the min. voltage after a supply error appeared, the Wandfluh electronics has to be disabled and re-enabled to acknowledge the supply error. If the supply voltage rises above the min. voltage after a supply error appeared, the Wandfluh electronics acknowledges the supply error automatically.	no
		yes

### 7.9.5 Default setting

This menu point is only active in the "On Line"-mode and in the state "Disabled" (refer to section "[State machine](#)"<sup>[16]</sup>).

With this command, the default settings made in the factory will be loaded on the connected Wandfluh-Electronics and read to the PC. After successfully read in, the question appears, if the values should be stored on the Wandfluh-Electronics or not. If "Yes" will be selected, the values will be stored in the way that they are available after the Wandfluh-Electronics will be switched on again (non-volatile memory). If "No" will be selected, the values are running at the moment, but after the Wandfluh-Electronics will be switched on again, the before current values will be active again.



## 7.10 Menu Commands

In the Commands menu, direct control commands can be transmitted to the DSV-Electronics.

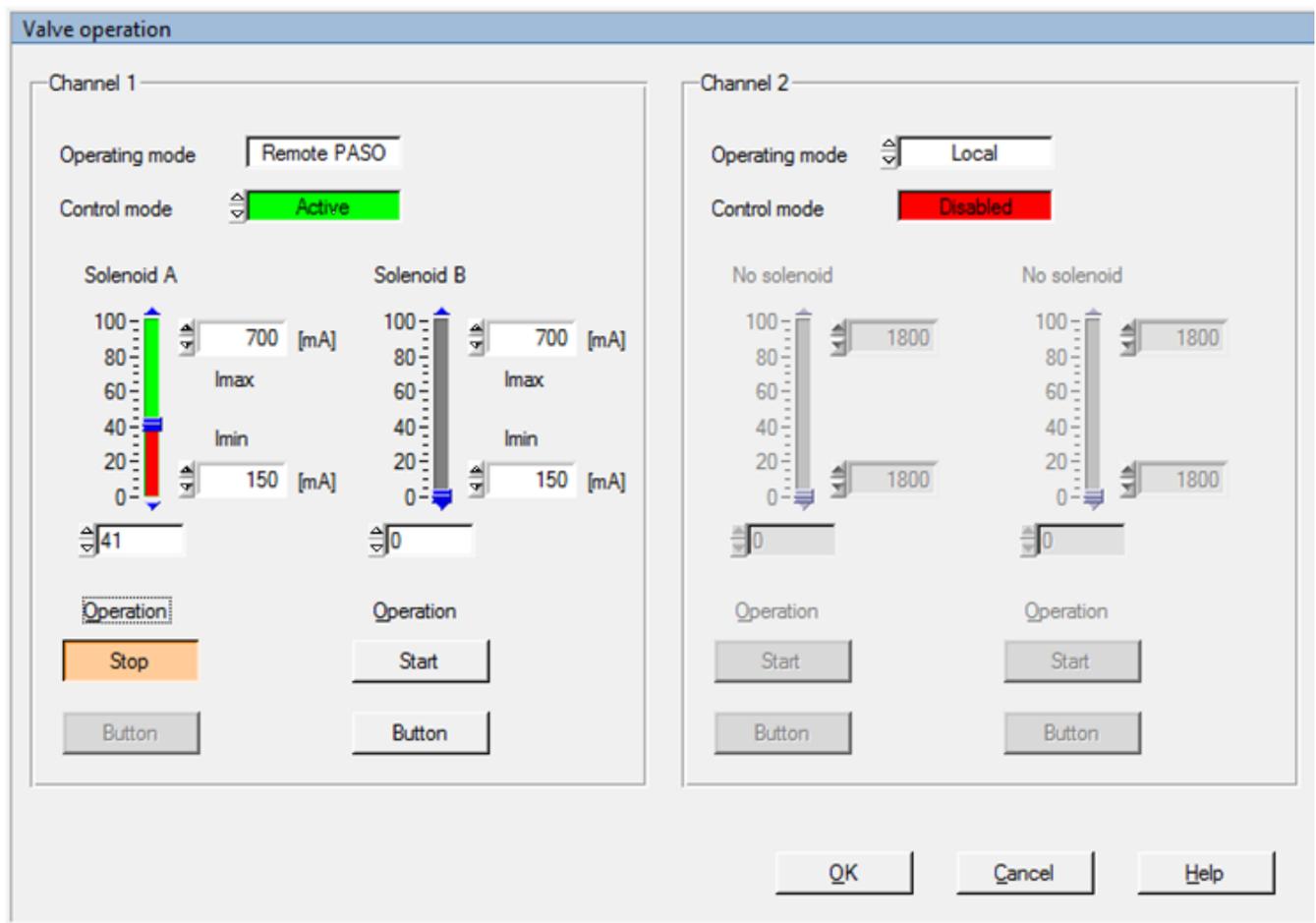
### 7.10.1 Valve operation

This menu point is only active in the "On Line"-mode.

In this window, the valve can be directly actuated via the elements available in the window.

It is possible to hold open also the window "Analysis - Signal recording" at the same time. These can be made with the selection of the menu item "Analysis - Signal recording" in the menu bar. Thus, the impact of the direct valve operation can be directly analyzed. If two windows are open, the window "Analysis - Signal recording" must be closed first before even the window "Valve operation" can be closed.

The following window appears:



- The number of the shown channels is equal to the number of channels that can be operated (refer to section ["Description of the Function"](#)<sup>[12]</sup>)
- The number of solenoids per channel corresponds to the selected mode of operation (refer to section ["Valve type"](#)<sup>[48]</sup>)
- The solenoid name (for example "solenoid A") corresponds to the selected solenoid output (refer to section ["Solenoid driver"](#)<sup>[50]</sup>)
- In the field "Operation mode" the current operation mode of the channel will be displayed
- In the field "Control mode" the current control mode of the channel will be displayed

Field	Parameter description	Range / Step size
Operation mode	Select the desired operating mode (refer to section <a href="#">"Operating mode"</a> <sup>[17]</sup> ) <b>This adjustment can only be made if the field "Control mode" is set to "Disabled".</b>	Local Remote PASO
Control mode	Select the desired control mode (refer to section <a href="#">"State machine"</a> <sup>[16]</sup> ) <b>This adjustment can only be made if the field "Operation mode" is set to "Remote PASO".</b>	Disabled Active
Operation	With this button, the adjusted current can be sent to the solenoid or the solenoid can be set to 0 current. <b>This button can only be operated if the field "Operation mode" is set to "Remote PASO" and the field "Control mode" is set to "Active".</b>	Start / Stop
Solenoid x	The desired solenoid current can be adjusted either with the slider or in the numeric field. With a proportional solenoid, the adjustment from 0...100% refers to a solenoid current from Imin...Imax. With a switching solenoid, the solenoid can be switched off or on with 0 / 1. <b>The adjusted current will be sent to the solenoid only if the button "Operation - Start" is activated (label of the button is "Stop")</b>	0...100% (Imin...Imax) 0 / 1
Imin / Imax	The value of the parameter Imin / Imax from the corresponding solenoid driver can be changed (refer to section <a href="#">"Solenoid driver"</a> <sup>[50]</sup> ).  If the window is closed with the button "OK", the changed values from Imin / Imax will be take over.  If the window is closed with the button "Cancel", the changed values from Imin / Imax will be reset to the original values.	

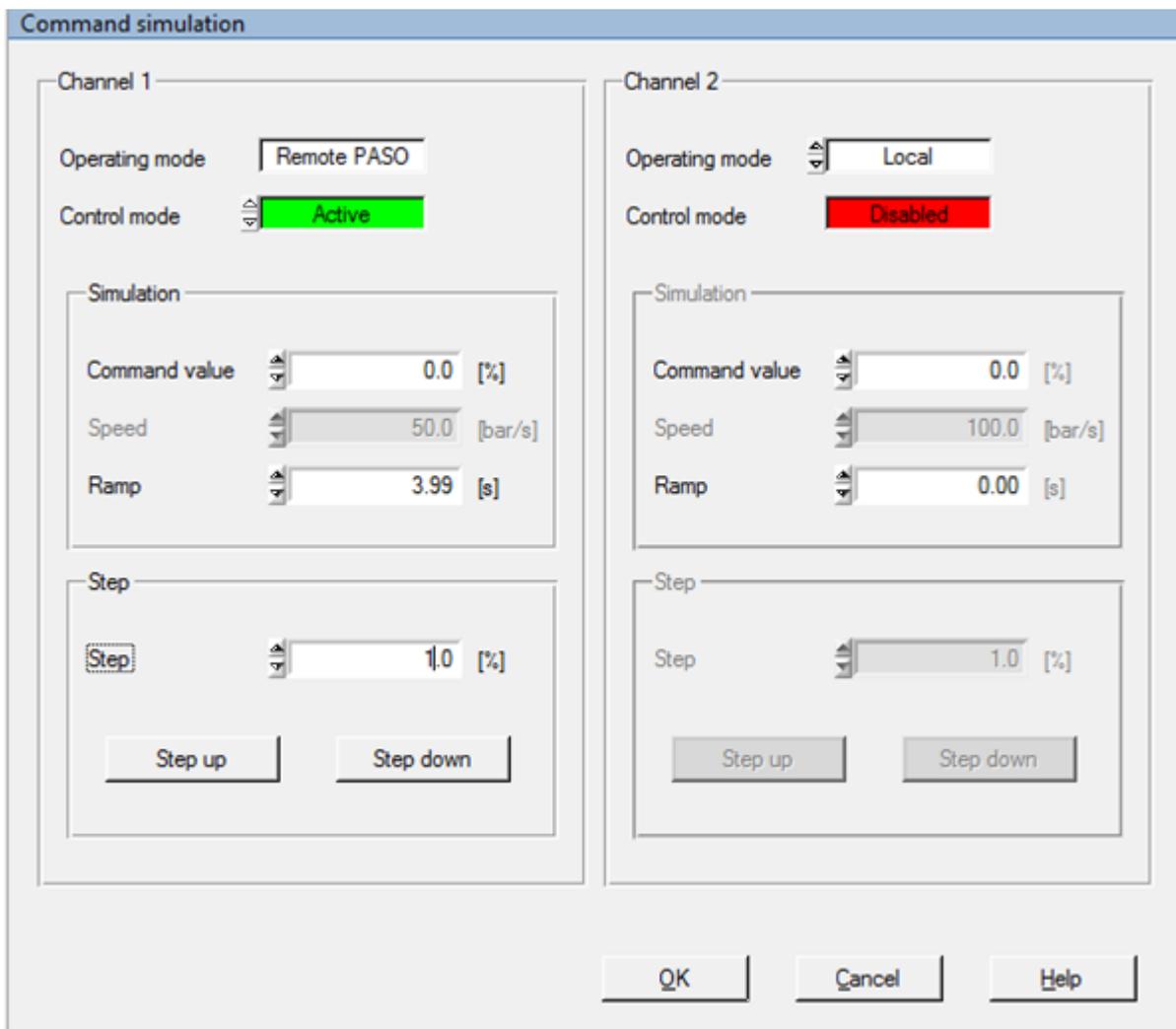
### 7.10.2 Command simulation

This menu point is only active in the "On Line"-mode.

In this window a command value can be set directly for each active axis.

It is possible to hold open also the window "Analysis - Signal recording" at the same time. These can be made with the selection of the menu item "Analysis - Signal recording" in the menu bar. Thus, the impact of the command simulation can be directly analyzed. If two windows are open, the window "Analysis - Signal recording" must be closed first before even the window "Command simulation" can be closed.

The following window appears:



- The number of the shown channels is equal to the number of active channels (refer to section "[Description of the Function](#)" <sup>(12)</sup>)
- In the field "Operation mode" the current operation mode of the channel will be displayed
- In the field "Control mode" the current control mode of the channel will be displayed

Field	Parameter description	Range / Step size
Operation mode	Select the desired operating mode (refer to section <a href="#">"Operating mode"</a> <sup>17)</sup> ) <b>This adjustment can only be made if the field "Control mode" is set to "Disabled".</b>	Local Remote PASO
Control mode	Select the desired control mode (refer to section <a href="#">"State machine"</a> <sup>16)</sup> ) <b>This adjustment can only be made if the field "Operation mode" is set to "Remote PASO".</b>	Disabled Active
Command value	Desired value of the command value. The adjusted %-value refer to the adjusted solenoid current range (0 ... 100% = Imin ... Imax). A positive %-value will activate the solenoid A, a negative %-value will activate the solenoid B (0% = Imin A).	-100% ... 100% 0.1%
Speed	This parameter is only active on a controller card.	
Ramp	After a command value jump, the new command value is approached via a linear ramp. The adjusted ramp time refer to a command value jump from 0% to 100% resp. from 100% to 0%.	0 ... 500s 0.05s
Step	With this value the command value will be added by clicking on the button "Step up" resp. will be subtracted by clicking on the button "Step down".	Adaped to command value
Step up	The command value will be added with the value from "Step"	
Step down	The command value will be subtracted with the value from "Step"	

## 7.11 Fieldbus-Menu

If the SD7-Electronics have a fieldbus, with this menu point the necessary bus node adjustments can be made. Also bus states will be displayed here.

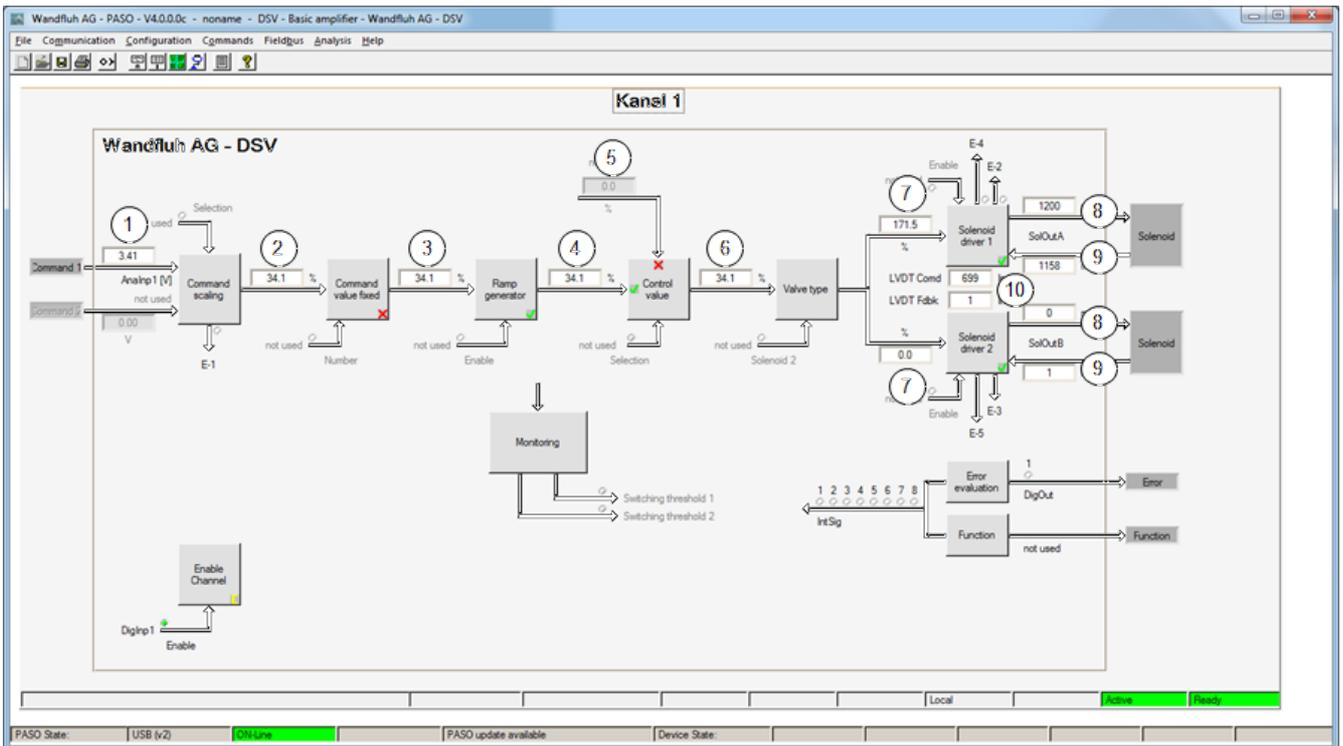
## 7.12 Menu Analysis

In the Analysis menu, measured values and possible errors on the DSV-Electronics can be displayed on-line.

### 7.12.1 Show values

The process data on the entire signal path are displayed online. This is helpful in maintenance and diagnostics.

*Values in italic letters are only valid for the enhanced version*



#### 1 Input command value resp. command value 2

Actual command value is shown in V, mA, % or Hz, depending on the selected signal type (refer to section "[Signal scaling](#)"<sup>[37]</sup>).

#### 2 Output value command scaling

Command value scaled to 0...100% or -100...100%. Includes deadband.

#### 3 Output value command values fixes

Command value scaled to 0...100% or -100...100%. If fixed command values are selected this value can differ to field 2.

#### 4 Output value ramp generator

Command value scaled to 0...100% or -100...100%. If a ramp is running this value can differ to field 3.

#### 5 Control value 2

Control value from the channel selected with the parameter "Source"

#### 6 Output value control value

Depending on the selected function, the value from field 4 from or from field 5 is shown

#### 7 Input value solenoid driver 1 resp. solenoid driver 2

Command value scaled to 0...100%.

If the value in field 6 is -100...0% a command value is given to solenoid driver 2. The command value for solenoid driver 1 is 0.

If the value in field 6 is 0...100% a command value is given to solenoid driver 1. The command value for solenoid driver 2 is 0.

#### 8 Command solenoid current solenoid driver 1 resp. solenoid driver 2

Output solenoid current. It is shown in mA if solenoid type is "Proportional solenoid with current measurement".

If solenoid type is "Proportional solenoid without current measurement" or "Switching solenoid without current measurement" the value is shown in % (refer to section "[Valve type](#)")<sup>[48]</sup>.

**9 Actual solenoid current solenoid driver 1 resp. solenoid driver 2**

Measured solenoid current. It is only shown if solenoid type is "Proportional solenoid with current measurement" (refer to section "[Valve type](#)")<sup>[48]</sup>.

### 7.12.2 Values window

This menu point is only active in the "On Line" - mode.

With this command, all relevant data of the connected Wandfluh-Electronics are read-in and displayed. The values are continuously updated (on-line).

Field	Description	Unit
Supply voltage	Supply voltage of the Wandfluh-Electronics .	V
Temperature	Actual temperature of the Wandfluh-Electronics	°C
Digital inputs	Logical status of the digital input: <ul style="list-style-type: none"> <li>• If the input is set</li> <li>• If the input is not set</li> </ul>	1 0
Digital outputs	Logical status of the digital output: <ul style="list-style-type: none"> <li>• If the output is set</li> <li>• If the output is not set</li> </ul>	1 0
Internal signals	Logical status of the internal signals: <ul style="list-style-type: none"> <li>• If the signal is set</li> <li>• If the signal is not set</li> </ul>	1 0

### 7.12.3 Signal Recording

In this menu, various signals of the connected SD7-Electronics can be recorded and analysed.

The selection of the data to be recorded takes place in the menu "Signal assignment", which is selected through the button "Signal assignment". In the "Offline - mode" it is not possible to record signals, it is possible, however, to process the recording parameters (menu "Signal assignment").

With the selection "Start - single", it is possible to record up to 250 measuring values per measuring channel (maximum 4 channels). The maximum recording duration of the recording can be derived from the scanning rate set multiplied with the number of the measuring values. The scanning rate is a minimum of 4ms. Because the first measured value is recorded at the point in time zero (start), the last measurement is situated one scanning step before the end of the measuring duration.

With the selection "Scroll - continuous", it is possible to record up to 20000 measuring values per measuring channel (maximum 4 channels). Displayed will be always the last 250 measuring values. All previous measured values can be displayed using a scroll bar. The scanning rate is a minimum of 12ms. With a small scanning rate, may the PC can not read in the measured values fast enough. In this case, a message appears and the recording is finished.

The recording parameters (signal type, scanning rate, etc.) together with the parameters are saved on the card and when saving to a file they are saved on the hard-disk.

The recorded measuring values are **not** saved with the parameters. However, there is the possibility of exporting the recorded measuring values (button "Export").

With the help of the time cursor, the measuring values are displayed for every point in time.

When changing the mode "On-Line / Off-Line" and when terminating the PASO, the recorded measuring values are lost.

Field	Parameter description
Signal display	Switching-on the fields makes the recorded curve of the respective channel visible.
Time cursor	Positioning the time cursor over the input field time [s] or with the help of the slider control underneath the graphics.
Signal assignment	Opens the menu <a href="#">Signal Assignment</a> <sup>73</sup>
New	Any recorder data are deleted and the card is ready for a new recording.
Start / Stop (single)	<p><b>Start</b>            A new recording is started. As soon as the trigger is actuated (or with "Trigger condition - start directly" immediately), the recording runs (apparent by the blinking of the field "Recording") and the measuring data are transmitted.            If there are already measuring data in the memory, then the recording continues as from this point.            Once the maximum number of measuring values (= 250) has been read-in, the possible remaining recording data are transmitted (the curves continue to be updated). During the transmission, it is already possible to analyse the curves ("Signal display", "Auto-scaling").</p> <p><b>Stop</b>            Stops the transmission and the recording. As from this point it is possible to record once again by a renewed actuation of Start.</p> <p>Once the maximum number of measuring values has been read-in or if "Scroll" was pressed, the Start button is dimmed.</p>
Scroll / Stop (continuous)	<p><b>Scroll</b>            A new recording is started. As soon as the trigger is actuated (or with "Trigger condition - start directly" immediately), the recording runs (apparent by the blinking of the field "Recording") and the measuring data are transmitted.            If there are already measuring data in the memory, then the recording continues as from this point.            As long as the buttons "Stop" or "New" are not pressed, the measuring values are read in. If the data memory on the SD7-Electronics is full or the maximum number of measuring value (= 20000) has been read-in, a message appears and the recording is stopped. During the transmission, it is already possible to analyse the curves ("Signal display", "Auto-scaling").</p> <p><b>Stop</b>            Stops the transmission and the recording. As from this point it is possible to record once again by a renewed actuation of Start.</p> <p>If "Start" was pressed, the Scroll button is dimmed.</p>
Export	<p>By the actuation of this button the recorded data are saved on the hard-disk.            The format used is a text format with tabulators as separators, so that it is easily possible to import the values into a different program (e.g. Excel).            The decimal marker of the numbers can be selected: Decimal point or comma.</p>
Auto-scaling	<p>With this button, the curves are displayed in the graphics in an optimum manner. The optimisation is only carried out for the inserted curves. The values "Scaling/Div" and "Offset" of the corresponding channels ("<a href="#">Signal assignment</a>" <sup>73</sup>), are adapted for this purpose. The auto-scaling is also operative during a recording.</p>
Close	<p>With this button, one leaves the signal recording menu. Any recording data are kept and these are displayed once more by a renewed selection of the menu.</p>



### Menu Signal Assignment

This menu is opened by the actuation of the button "Signal Assignment" in the Signal Recording window.

Field	Parameter description
Range "Signal selection"	In this menu, the selection which signals should be recorded can be made
Signal	The desired signals can be activated / not activated
Recording signal	The desired signal for recording can be selected (refer to "' <a href="#">Show values</a> '" and " <a href="#">Values window</a> ")
Supplementary	For the following recording signals, the supplementary selection is active: - all channel depending signals      desired channel - digital input                              desired digital input - digital output                              desired digital output - internal signal                              desired internal signal
Scale / Div	Vertical value for one step in the signal recording window
Offset	Offset value for the signal display in the signal recording window. If offset value = 0 the 0 - line from the signal value is in the middle of the signal recording window
Range "Trigger"	In this range the condition for the Trigger signal are made
Condition	Start condition for starting the recording: - negative slope:                              Signal level must change from higher than level value to smaller than level value - positive slope:                                Signal level must change from smaller than level value to higher than level value - pos/neg slope:                                Signal level must change from higher than level value to smaller than level value or from smaller than level value to higher than level value - start directly:                                 by operating the "Start" button, the recording is started directly
Signal	Signal, on which triggering takes place
Level	Value for the start condition
Range "Sample time"	In this Range the recording time can be set
Sample time	Scanning rate for the recording (0.004 ... 60s, a multiple of 4ms). After this time interval, a new measurement is made. The value from the recording time will be adapted accordingly
Recording time	Desired recording period (1 ... 15000s). The value from the sample time will be adapted accordingly
OK	If changes have been made, then any possible recording data (together with the graphics) are deleted
Cancel	Any possible changes are cancelled again

The display parameters "Scaling/Div" and "Offset" are saved on the card together with the parameters.

### 7.12.4 Individual values

With this command, different On-line signals can be displayed in a separate window. Which signals should be displayed can be selected by yourself. It is possible to display On-line signals from different channels.

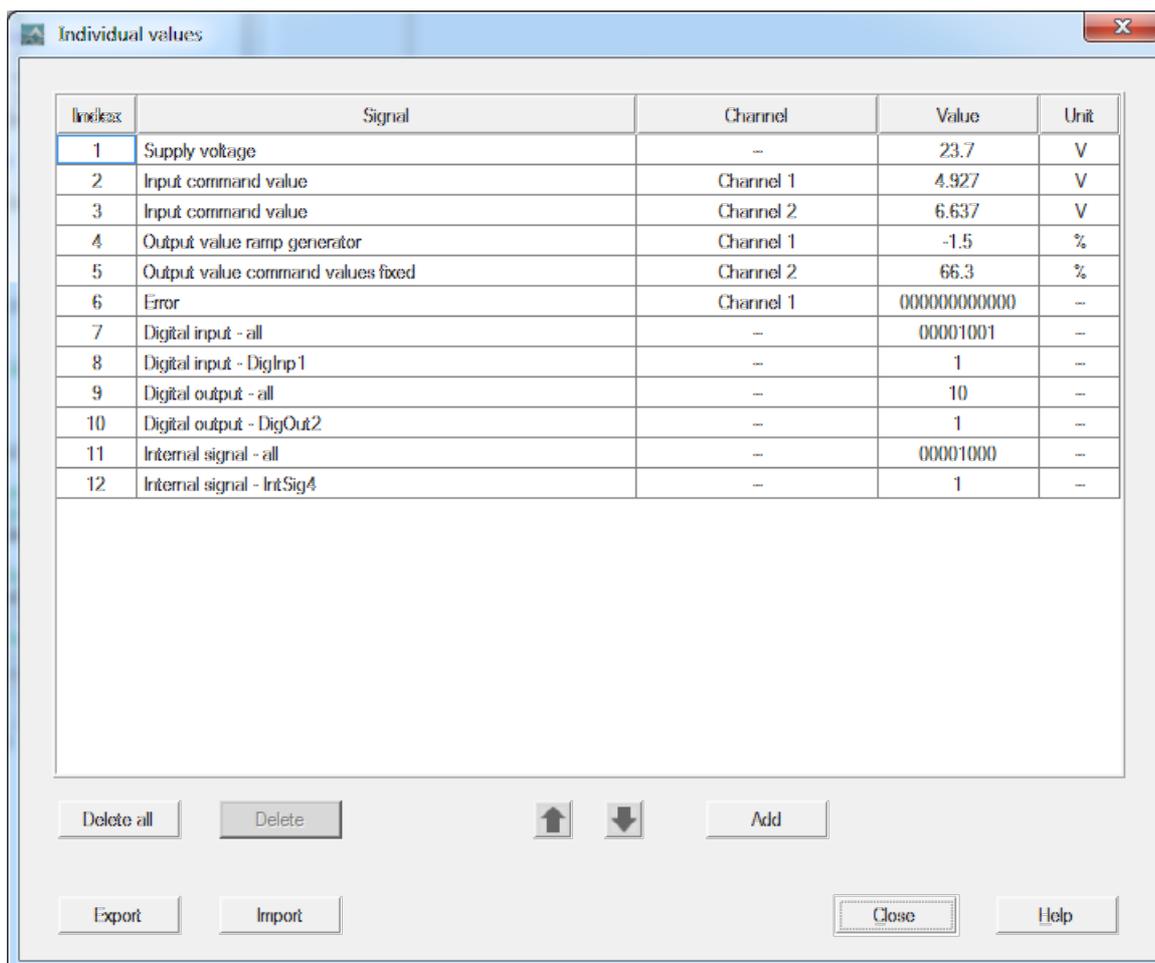
The window can remain open regardless of other input windows. If a different window is open, the values in the individual data window are updated, but no input is possible.

Adding a further signal is done either via the button "Add" (siehe Abschnitt "[Add signals using the button "Add"](#)"<sup>[75]</sup>") or Or by right-clicking on the desired On-line signal in the main window (siehe Abschnitt "[Add signals by clicking with the right mouse button](#)"<sup>[75]</sup>").

Existing signals can be removed from the signal list either by pressing the button "Delete" (deletes only the selected signal in the list) or the button "Delete all" (deletes all signals in the list).

The buttons  and  can be used to move the selected signal up or down in the list

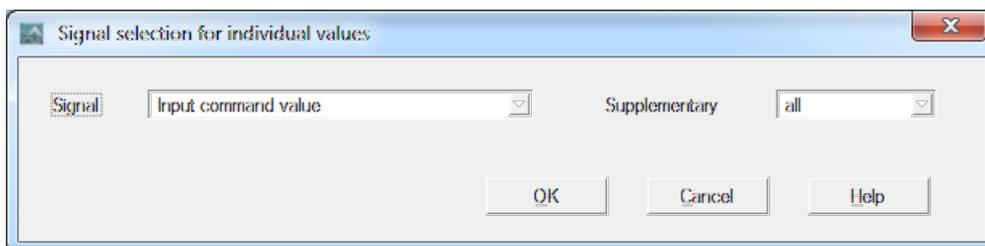
The selected signals are not stored on the connected Wandfluh-Electronics. By means of the buttons "Export" and "Import", created On-line signal lists can be created for different measurement or display procedures. When importing, it is checked whether the signals are present with the selected card type or not. No existing signals are deleted from the list. When PASO is terminated, the currently available signal list is automatically saved and is available again when PASO is started again



Signal	<p>Desired On-line signal. The following signal types are distinguished:</p> <p>General signals:          Signals, which are present only once on the connected Wandfluh-Electronics (in the picture above index 1)</p> <p>Channel dependent signals:          Signals, which are separately available for each existing channel. Numerical signals are displayed with their effective value with unit (in the picture above index 2 - 5). Digital signals are displayed in binary format (in the picture above index 6). A detailed description of the signals is located in the section "<a href="#">Representation of the signals</a>".</p> <p>Digital inputs:          Digital inputs are only available once on the connected Wandfluh.Electronics. However, it can be chosen, whether all digital inputs (in the picture above index 7) or only a single digital input (in the picture above index 8) is to be displayed. A detailed description of the signals is located in the section "<a href="#">Representation of the signals</a>".</p> <p>Digital outputs:          Digital outputs are only available once on the connected Wandfluh.Electronics. However, it can be chosen, whether all digital outputs (in the picture above index 9) or only a single digital output (in the picture above index 10) is to be. A detailed description of the signals is located in the section "<a href="#">Representation of the signals</a>".</p> <p>Internal signals:          Internal signals are only available once on the connected Wandfluh.Electronics. However, it can be chosen, whether all internal signals (in the picture above index 11) or only a single internal signal (in the picture above index 12) is to be. A detailed description of the signals is located in the section "<a href="#">Representation of the signals</a>".</p>
Channel	With channel dependent signals the corresponding channel is displayed here
Value	The current value of the selected signal. This value is constantly updated. If PASO runs in "Off Line"-mode, no values are displayed here-
Unit	The unit corresponding to the signal is displayed here

### Add signals using the button "Add"

A selection window appears in which the desired signal can be selected. Depending on the signal type, a corresponding supplementary selection appears (e.g. desired channel). The selected signal is added at the end of the list.



### Add signals by clicking with the right mouse button

All on-line signals displayed in the main window can be inserted directly into the signal list by right-clicking with the mouse. For channel dependent signals, a selection can be made whether the signal is to be inserted only from the current channel or from all channels.

## Representation of the signals

Numerical signals are displayed with their effective value with unit.

Digital signals are displayed in binary format. Instead of x there will be a "0" if the signal is not active and a "1" if the signal is active. The assignment of the signals is from right to left.

*Values in italic letters are only valid for the enhanced version.*

Signal	Format	Description
Digital inputs	x1	x1 = state of digital input 1
Digital output	x1	x1 = state of digital output 1
Internal signals	x8 x7 x6 x5 x4 x3 x2 x1	
Error	x12 x11 x10 x9 x8 x7 x6 x5 x4 x3 x2 x1	x1 = E-1 cablebreak command value signal x2 = E-2 Kurzschluss solenoid driver 1 x3 = E-3 Kurzschluss solenoid driver 2 x4 = E-4 cablebreak solenoid driver 1 x5 = E-5 cablebreak solenoid driver 2 x6 = E-6 cablebreak feedback value signal (only with Controller-Version) x7 = E-7 trailing error (only with Controller-Version) x8 = E-8 J1939 error (only with devices with J1939 bus node) x10 = E-10 short circuit solenoid digital output x11 = E-11 device error x12 = E-12 switching threshold A detailed description of the errors is located in the section " <a href="#">Error evaluation</a> <sup>[54]</sup> ".
Window	x3 x2 x1	x1 = state of target window (only with Controller-Version) x2 = state of trailing window (only with Controller-Version) x3 = state of solenoid-off window (only with Controller-Version)
Switching threshold	x2 x1	x1 = state of switching threshold 1 x2 = state of switching threshold 2 A detailed description of the errors is located in the section " <a href="#">Monitoring</a> <sup>[45]</sup> ".
Control value	x1	x1 = state of control value 2 A detailed description of the errors is located in the section " <a href="#">Control value</a> <sup>[46]</sup> ".

### 7.12.5 Diagnostics

With this command, possibly present errors on the connected Wandfluh-Electronics are indicated. The error is read in once. A complete description of the error will be displayed.

An active error is indicated as follows:

- in the status line per channel the text "Error" is displayed (instead of "Ready")
- in the main window a red point appears for the corresponding error
- the box "[Error evaluation](#)<sup>[54]</sup>" has a red frame
- the button "Diagnostics" in the box "[Error evaluation](#)<sup>[54]</sup>" is red
- in the box "[Error evaluation](#)<sup>[54]</sup>" the corresponding current state of the error is red

The reaction to an existing error can be set in the box "Error evaluation" (refer to section "[Error evaluation](#)"<sup>[54]</sup>)

Diagnostics:	Error	Error remedy	Blink code
--------------	-------	--------------	------------

Power supply fault	If the supplied voltage < 18VDC resp. < 8VDC. In the general status line it will be displayed if this error is present (State: Error) or not (State: Ready).	Disable and reenable the control. If the parameter "Auto reset" is set to "yes", the error will be automatically reset if the supply voltage is > 18VDC resp. > 8VDC (refer to section " <a href="#">General errors</a> " <sup>[64]</sup> )	1 x
Cable break command value input	This error is only detected, if the parameter "cablebreak" is set to "yes" and the command value is smaller than the lower cable break limit or higher than the upper cable break limit. In the status line of the corresponding channel it will be displayed if this error is present (State: Error) or not (State: Ready).	Disable and reenable the corresponding channel.	2 x
Short circuit solenoid output	There is a short circuit on the solenoid output In the status line of the corresponding channel it will be displayed if this error is present (State: Error) or not (State: Ready).	Disable and reenable the corresponding channel.	3 x
Cable break solenoid output	There is a cable break on the solenoid output In the status line of the corresponding channel it will be displayed if this error is present (State: Error) or not (State: Ready).	Disable and reenable the corresponding channel.	6 x
Memory error	There is an internal memory error on the Wandfluh-Electronics	Switch off and switch on again the control	4 x
Fieldbus error (only on Wandfluh with Fieldbus-Interface)	A detailed description of the error can be read via the fieldbus	Reset or restart of the fieldbus connection	5 x

If several errors are present, it can be switched between the various error messages with the button "Next" resp. "Back".

### 7.12.6 Temperature statistics

With this command the temperature history of the Wandfluh-Electronics is displayed.

All statistic values are saved once per hour in the Wandfluh non-volatile memory. If the Wandfluh is operated for less than one hour, the values of the last operation period are not saved.

At the opening of the window, the current statistic values are read from the memory and displayed. While the window is open, the displayed values are not continuously updated.

Field	Description	Unit
Min. temperature value	Shows the deepest ever measured internal Wandfluh temperature. Is updated continuously in the background, however only once per hour saved in memory.	°C
Max. temperature value	Shows the highest ever measured internal Wandfluh temperature. Is updated continuously in the background, however only once per hour saved in memory..	°C
Temperature classes	Shows the frequency of the measured internal Wandfluh temperatures, distributed over 6 temperature classes. Every hour the current temperature is measured and the corresponding temperature counter is increased with one step and subsequently saved in memory, together with the minimal and maximal temperature. If one of the counters reached the highest value of 65535, the counters will not be updated furthermore.	

### 7.12.7 Operating hours

With this command the operating hours of the Wandfluh-Electronics is displayed.

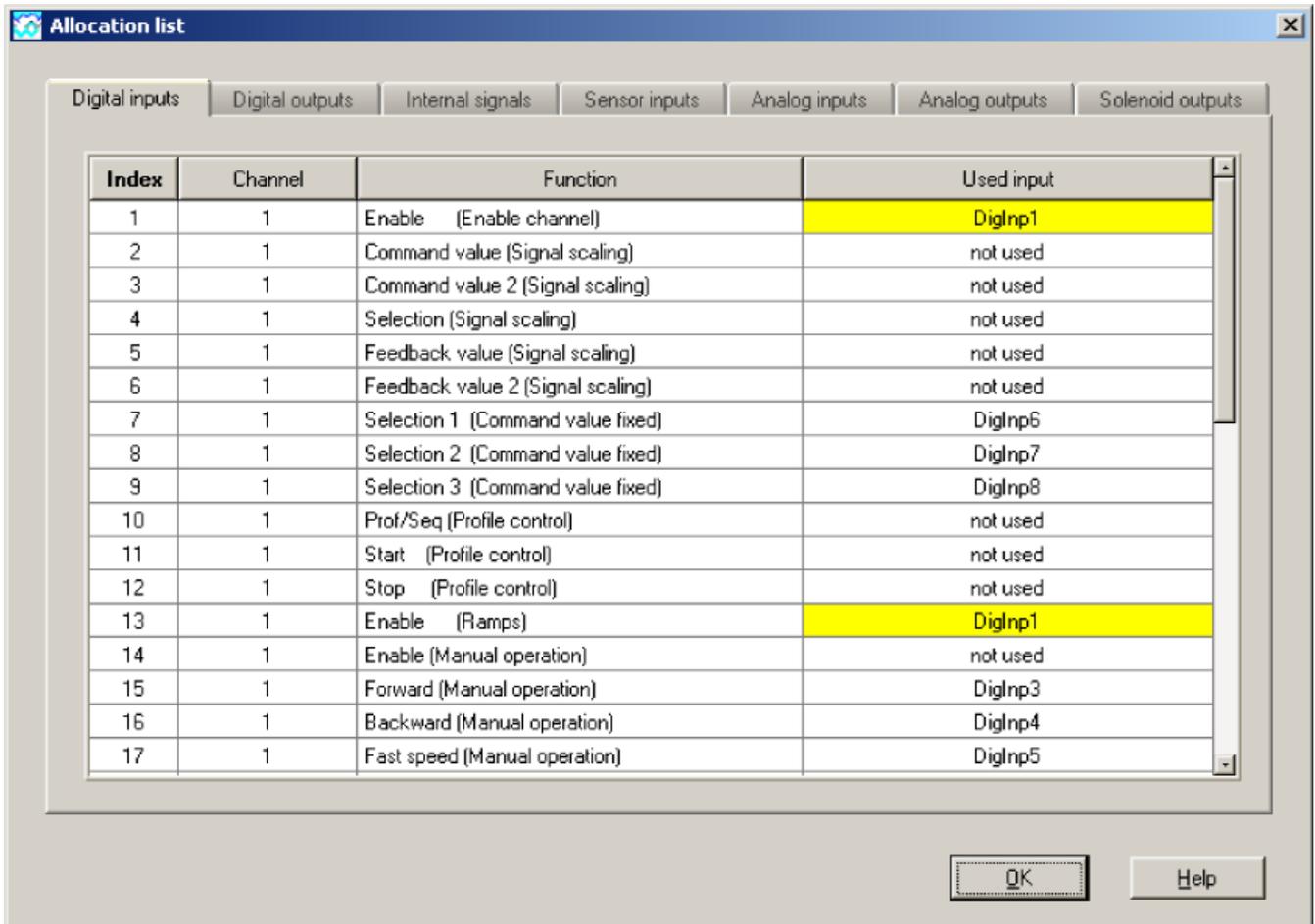
This value is saved once per hour in the Wandfluh non-volatile memory. If the Wandfluh is operated for less than one hour, the value of the last operation period is not saved.

At the opening of the window, the current value are read from the memory and displayed. While the window is open, the displayed value is not continuously updated.

Field	Description	Unit
Operating hours	Every hour the operating hours counter is increased with one step and subsequently saved in memory. If the counter reached the highest value of 65535, the counter will not be updated furthermore.	

## 7.12.8 Allocation list

With this command, the current allocation list of all inputs and outputs can be displayed.



Index	Channel	Function	Used input
1	1	Enable (Enable channel)	DigInp1
2	1	Command value (Signal scaling)	not used
3	1	Command value 2 (Signal scaling)	not used
4	1	Selection (Signal scaling)	not used
5	1	Feedback value (Signal scaling)	not used
6	1	Feedback value 2 (Signal scaling)	not used
7	1	Selection 1 (Command value fixed)	DigInp6
8	1	Selection 2 (Command value fixed)	DigInp7
9	1	Selection 3 (Command value fixed)	DigInp8
10	1	Prof/Seq (Profile control)	not used
11	1	Start (Profile control)	not used
12	1	Stop (Profile control)	not used
13	1	Enable (Ramps)	DigInp1
14	1	Enable (Manual operation)	not used
15	1	Forward (Manual operation)	DigInp3
16	1	Backward (Manual operation)	DigInp4
17	1	Fast speed (Manual operation)	DigInp5

The display of the allocation list can be divided in digital inputs, digital outputs, internal signals, analog inputs, and solenoid outputs. The display can be individually sorted (mouse click on the title bar of the desired column). Inputs and outputs which are double occupied have a yellow background (refer to section ["Assignment of the inputs/outputs"](#) <sup>37</sup>).

## 7.13 Menu Help

### 7.13.1 Description of the function

A general information about the function of the Wandfluh-Electronics will be displayed.

### 7.13.2 Contents

The list of contents of the PASO Help will be displayed. By clicking on the desired subject, the corresponding help text will be displayed.

### 7.13.3 Step by Step Guide

The step by step guide will be opened automatically.

### 7.13.4 Device Identification

Here the current version of the hardware and the software from the connected Wandfluh-Electronics will be read and displayed. They can not be changed.



- Valve type: Corresponds to the Wandfluh type code of the valve
- Part number: Corresponds to the Wandfluh part number
- Valve serial number: The serial number has the following structure: YYDDDDXXXXX  
JJ: Production year  
TTT: Production day (different for each device type)  
XXXX: Continuous number (different for each device type)
- Software version: Corresponds to the installed software version on the connected DSV-Electronics. This information should be always applied when a request to Wandfluh is made.
- Firmware version: Corresponds to the installed firmware version on the connected DSV-Electronics. This information should be always applied when a request to Wandfluh is made.
- Device type: Corresponds to the Wandfluh type code
- DSV serial number: The serial number has the following structure: YYDDDDXXXXX  
JJ: Production year  
TTT: Production day (different for each device type)  
XXXX: Continuous number (different for each device type)
- Device configuration: This includes all relevant information about the existing hardware and software components. This information should be always applied when a request to Wandfluh is made.

Using the "Save" button, these values can be stored in a file. By some questions to the Wandfluh AG, this file can be sent via eMail to [sales@wandfluh.com](mailto:sales@wandfluh.com) for an analysis.

### 7.13.5 WANDFLUH on the Web

A link to the [WANDFLUH home page](#).

### 7.13.6 Check for Updates

It is checked whether a newer PASO version is available (refer to section "[PASO Update](#)<sup>84</sup>").

### 7.13.7 Info

Information about PASO and its version.

## 8 System does not work

In this section, the generally possible errors and the procedures for eliminating them are listed and explained.

### 8.1 Procedure

The following check list can be used in case of an error.

An active error is indicated as follows:

- in the status line per channel the text "Error" is displayed (instead of "Ready")
- in the main window a red point appears for the corresponding error
- the box "[Error evaluation](#)<sup>[54]</sup>" has a red frame
- the button "Diagnostics" in the box "[Error evaluation](#)<sup>[54]</sup>" is red
- in the box "[Error evaluation](#)<sup>[54]</sup>" the corresponding current state of the error is red

Question:	Action:	Possible errors and causes	Blink code
State: Error	Analysis_Diagnostics Power supply error	<ul style="list-style-type: none"> <li>• The supplied voltage is &lt; 18VDC resp. &lt; 8VDC. The error is also displayed if a supplied voltage interruption occurred (t &gt; 250ms).</li> <li>• Is the supplied power sufficient?</li> <li>• Is the AC voltage too high (refer to section "<a href="#">Electrical specifications</a>"<sup>[77]</sup>)?</li> <li>• When the error is cleared, disable the controller for a short period and re-enable.</li> <li>• With the parameter "Auto reset", the error can be automatically reset if the supply voltage is &gt; 18VDC resp. &gt; 8VDC (refer to section "<a href="#">General errors</a>"<sup>[64]</sup>)</li> </ul>	1 x
	Analysis_Diagnostics Cable break command value input	<ul style="list-style-type: none"> <li>• The command value is either smaller than the lower cable break limit or higher than the upper cable break limit.</li> <li>• Check the command value signal connections between the command value encoder and SD7-Electronics.</li> <li>• If the cablebreak detection is not desired, switch off the cablebreak detection (refer to section "<a href="#">Signal scaling</a>"<sup>[37]</sup>).</li> <li>• When the error is cleared, disable the corresponding channel for a short period and re-enable.</li> </ul>	2 x
	Analysis_Diagnostics Short circuit solenoid output	<ul style="list-style-type: none"> <li>• There is a short circuit on the solenoid output.</li> <li>• When the error is cleared, disable the corresponding channel for a short period and re-enable.</li> </ul>	3 x
	Analysis_Diagnostics Cable break solenoid output	<ul style="list-style-type: none"> <li>• There is a cable break on the solenoid output.</li> <li>• When the error is cleared, disable the corresponding channel for a short period and re-enable.</li> </ul>	6 x
	Analysis_Diagnostics Memory error	<ul style="list-style-type: none"> <li>• There is an internal memory error on the SD7-Electronics</li> <li>• Switch off and switch on again the control</li> </ul>	4 x
	Analysis_Diagnostics Fieldbus error	<ul style="list-style-type: none"> <li>• A detailed description of the error can be read via the fieldbus</li> <li>• Reset or restart of the fieldbus connection</li> </ul>	5 x

## 9 PASO Installation and Operation

The parameterisation software PASO serves for the parameterising and diagnosing of all Electronic cards of the WANDFLUH AG company. The software provides a user interface, through which by means of a keyboard or a mouse all adjustments and settings can easily be carried out. The communication with the digital card takes place through a USB-interface.

**The parameterisation software PASO can only be utilised in connection with a Wandfluh-Electronics.**

### 9.1 System presupposition

A description of the different PASO versions is located in the file "history.pdf". This file is located in the directory where the PASO will be installed.

In order to be able to correctly utilise the PASO, an IBM-compatible PC with the following requirements has to be available:

- Operating system Windows 7, Windows 10 or higher
- Standard VGA or higher graphics card, min resolution 1425 x 800
- At least one USB interface (USB 1.1 or USB 2.0)
- USB cable
  - type A => Mini-B for DSV
  - type A => B for all other cards
- Wandfluh own USB adapter PC - PD2 (only for communication with PD2 / MKY)

### 9.2 Installation

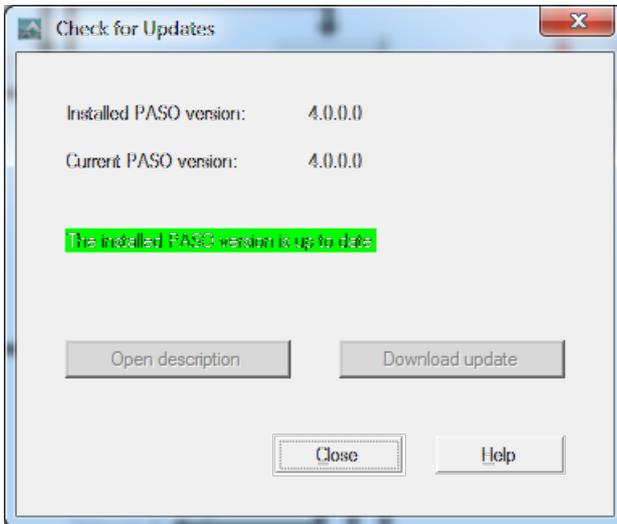
The PASO software can be downloaded via the Internet free of charge ([www.wandfluh.com/Download](http://www.wandfluh.com/Download) => PASO).

The installation of the PASO is then carried out by executing the file "setupPasovnnnn.exe", where "nnnn" means the current version (e.g. setupPasov4000.exe). An installation program takes over the complete installation of PASO. To them, the Windows Installer must be installed. This is normally a part of the Windows Environment. If not, please download it from the Microsoft Website.

If there is already a version of the PASO software installed on the PC, it is automatically overwritten with the newer version.

### 9.3 PASO Update

After start-up, PASO checks automatically if a newer PASO version is available. If an update is available, this is indicated in the status line (refer to section "[Starting of PASO](#)"<sup>[90]</sup>). By clicking on the corresponding entry in the status line or through the menu item "Help - Nach Updates suchen" (siehe Abschnitt "[Check for Updates](#)"<sup>[81]</sup>) the following window will open:



Next to "Installed PASO version", the version number of the installed PASO on the corresponding PC appears. Next to "Current PASO version", the version number of the newest PASO version appears.

If the installed PASO version is current, the message "The installed PASO version is up to date" appears.

If a newer PASO version is available, but does not require a mandatory update (e.g. a new function is included), the message "A newer PASO version is available. The update must not be carried out mandatory." appears.

If a newer PASO version is available, which requires a mandatory update (e.g. fix an error), the message "A newer PASO version is available. It is recommended to perform the update!" appears.

In both cases, using the button "Open description" a brief description about the changes in the PASO will be opened and using the button "Download update" the latest setup file can be downloaded directly.

After downloading, the following procedure is as follows:

- close the installed PASO
- install the downloaded new PASO (start the setup file)
- start the new installed PASO

In order to check for a newer PASO version, a connection to the Wandfluh server must be possible. If this is not possible (e.g. no internet connection), the message "Check for updates is not possible. There was no connection to the Wandfluh server possible." appears.

## 9.4 Connection to the Wandfluh card

The connection between the PC, on which the parameterisation software PASO Wandfluh is installed, and the Wandfluh-Electronics takes place through the USB interface. To do this, a USB cable has to be connected with the desired USB port on the PC and with the USB socket on the Wandfluh-Electronics.

During the installation of the parameterisation software PASO Wandfluh, the used USB driver for the Wandfluh-Electronics will be installed automatically. A new installation of this driver is possible. In the directory, where the parameterisation software PASO Wandfluh is installed, there is a sub directory "USB\_Driver". In this sub directory, there is a file "Preinstaller.exe". With executing this file, the installation of the USB driver is possible.

If the USB driver for the Wandfluh-Electronics is installed correctly, it must be shown in the Windows Devicemanager in the "USB-Controller" as "Wandfluh AG - xxx" (xxx corresponds to corresponding device type) while a Wandfluh-Electronics is connected to the PC.

## 9.5 Mode "Off Line" / "On Line"

The parameterisation software PASO DSV runs in one of two modes:

- In the **"Off Line"-mode**, the processing of the parameter files is possible. This has no influence in a possible connected Wandfluh-Electronics. The communication with the Wandfluh-Electronics is not active. A connection is allowed, but not necessary.

All menu points and keys, which involve an action in connection with the communication, are then blocked.

- In the **"On Line"-mode**, there is active communication with the Wandfluh-Electronics. Every change becomes immediately effective in the Wandfluh-Electronics. In this mode, the loading and processing of files is not possible. Only the saving of the currently active parameters to a file is possible.

There is permanent communication between the PASO DSV and the connected Wandfluh-Electronics.

**Because of that, it is not allowed to disconnect the connection to the Wandfluh-Electronics or to switch off the Wandfluh-Electronics in the "On Line"-mode.**

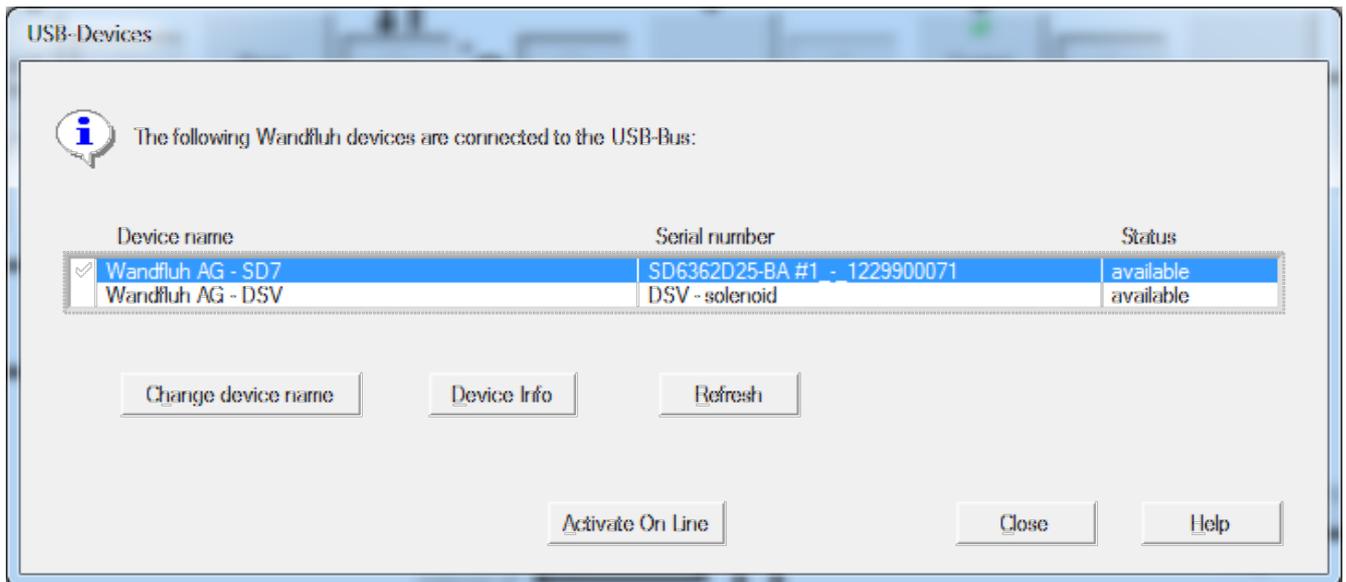
The change between the two modes takes place through the menu point "[Communication Activate On Line / Activate Off Line](#)"<sup>[67]</sup>. Near it, it's possible to select if the data should take over from the Wandfluh-Electronics (UPLOAD PARAMETERS, data flow Wandfluh-Electronics => PASO) or if the Wandfluh-Electronics should be reprogrammed with the new actual data (DOWNLOAD PARAMETERS, data flow PASO => Wandfluh-Electronics).

In case of an interference in the communication, the controlling of the Wandfluh-Electronics is not assured anymore. An error message follows and the PASO DSV software automatically changes over to the "Off Line"-mode (refer to section "[Communication interruption](#)"<sup>[68]</sup>).

## 9.6 Communication start up

When the parameterisation software PASO DSV is started up, a check takes place, as to whether a communication with the Wandfluh-Electronics is possible. If no communication can be established, an error message appears (refer to section "[Communication interruption](#)"<sup>[88]</sup>). If a communication is possible, the configuration from the PASO will change automatically over to the configuration of the connected Wandfluh-Electronics and the parameters are read from the device.

If several Wandfluh-Electronic devices are connected via the USB-Interface, the following window appears:

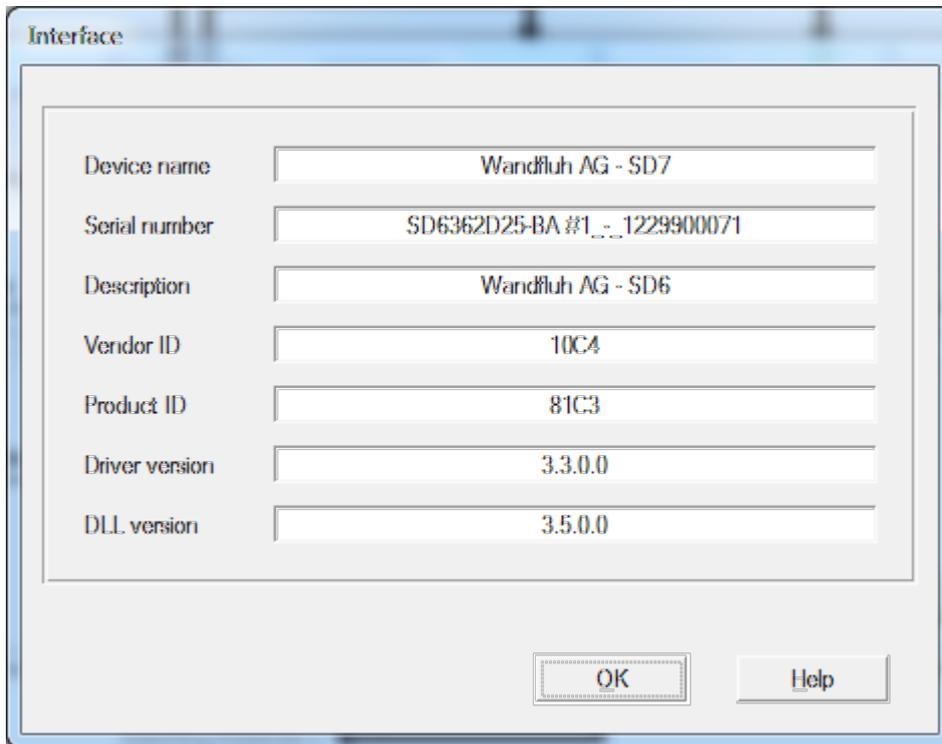


Here, the desired device for the communication start up can be selected.

Device name	Individual name of the device. This can be changed by means of the button "Change device name". The device name is displayed in the PASO software (refer to section " <a href="#">Starting of PASO</a> " <sup>[90]</sup> ).
Serial number	Unique identification of the device. This entry is assigned by the factory and can not be changed.
Status	available: Communication can be established with this device in use: Communication is already active with this device; no new communication can be established
Change device name	The device name of the selected device can be changed (only if the Status is "available")
Device Info	The device info of the selected device is displayed (refer to section " <a href="#">Device Info</a> " <sup>[87]</sup> )
Refresh	Updates the entries
Activate On Line	Establish communication with the selected device

**Device Info**

The device info of the selected device is displayed:



Device name	Individual name of the device
Serial number	Unique identification of the device
Description	Description of the device
Vendor ID	Identification number from the manufacturer
Product ID:	Identification number from the product
Driver version	Version of the installed USB driver. This is installed automatically with the installation of PASO
DLL version	Version of the USB DLL. This is installed automatically with the installation of PASO

## 9.7 Communication interruption

If no communication is possible during the start up or the interruption of the communication occurs during the operation of the parameterisation software PASO, then an error message with an error number and an error description appears. The further procedure can be selected

Repeat: The communication is restarted  
Cancel: The communication is canceled  
Detail: Detailed information about the communication error can be displayed.  
A further window with all the detailed information appears. This information can be saved in a file using the "Save" button.

The detailed information is not meaningful to the user. In the case of an error, however, they can be saved in a file and sent by email to [sales@wandfluh.com](mailto:sales@wandfluh.com) for analysis

Wurde die Kommunikation abgebrochen oder ist immer noch keine Kommunikation möglich, wird die PASO SD7 Software in den "Off Line"-Modus gesetzt. Alle Menüpunkte und Tasten, die eine Aktion im Zusammenhang mit der Kommunikation beinhalten, sind jetzt gesperrt. Um wieder eine Kommunikation aufzubauen, muss der Menüpunkt "Datei\_On Line" angewählt werden.

If the communication has been canceled or communication is still not possible, PASO is set to "Off Line"-mode. All menu items and buttons that contain an action related to the communication are now blocked. To re-establish a communication, the menu item "[Communication Activate On Line / Off Line gehen](#)"<sup>[61]</sup> has to be selected.

Possible reasons for a communication interruption are:

- No Wandfluh-Electronics are connected
- The connected Wandfluh-Electronics are not switched on
- The USB driver is not correct installed (refer to section "[Connection to the Wandfluh card](#)"<sup>[85]</sup>)
- The connection cable is defect or not plugged in



## 9.8 Program description

### 9.8.1 Description of the keys

TAB	Transfer to the next input element
SHIFT-TAB	Transfer to the previous input element
ENTER	Execution of the active input element or conclusion of an input.
ESC	Abort, undoing of an action. In many cases corresponds to the key "Cancel".
F1	Activate the key "Help"

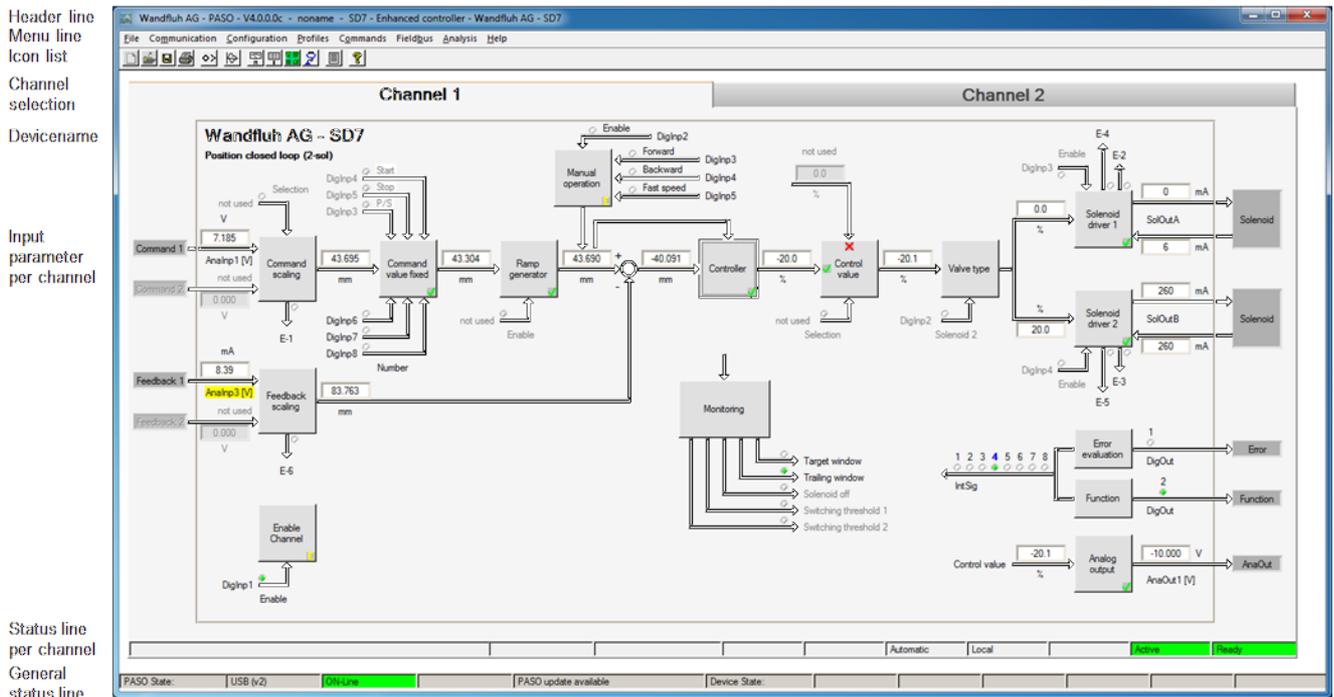
### 9.8.2 Input elements

Key	<p>A key executes the action, with which it is inscribed.</p> <p>Actuation of a key through the keyboard:</p> <ul style="list-style-type: none"> <li>• Push the key TAB, until the key becomes active.</li> <li>• Push the key ENTER. The action is now carried out.</li> <li>• Push the key ALT and the underlined letter of the key inscription: The action is carried out immediately.</li> </ul> <p>Actuation of a key with the mouse:</p> <ul style="list-style-type: none"> <li>• Click on the corresponding key. The action is now carried out.</li> </ul>
Input field	<p>The input fields enable the entering of numbers or text. All applicable keys of the keyboard are allowed, including the keys HOME, END, LEFT, RIGHT. In certain cases when taking it over, the input is checked and if necessary an error message is issued.</p> <p>Actuation of an input field through the keyboard:</p> <ul style="list-style-type: none"> <li>• Push the key ENTER or TAB to finish with the input field.</li> <li>• In the case of input fields with ARROW keys UP and DOWN: Actuation of the UP-/DOWN - keys for the step by step changing of the values.</li> </ul> <p>Actuation of an input field with the mouse:</p> <ul style="list-style-type: none"> <li>• Click within the input field, in order to position the cursor in it.</li> <li>• In the case of input fields with ARROW keys UP and DOWN: Click on the corresponding arrow for the step by step changing of the values.</li> </ul>
Selection field	<p>The selection fields enable the selection from various possibilities.</p> <p>Actuation of a selection field through the keyboard:</p> <ul style="list-style-type: none"> <li>• Push the SPACE key to open all selection possibilities. With the help of the keys UP, DOWN, HOME, END, make the required selection. Subsequently push the ENTER key to confirm the required selection, or else the ESC key to undo the selection.</li> <li>• Push the key UP to cyclically select the previous selection.</li> <li>• Push the key DOWN to cyclically select the next selection.</li> <li>• Push the key HOME to select the first item of the selection list.</li> <li>• Push the key END to select the last item of the selection list.</li> </ul> <p>Actuation of a selection field with the mouse:</p> <ul style="list-style-type: none"> <li>• Click inside the selection field so that all selection possibilities are displayed and then click on the required selection.</li> </ul>

## 9.9 Starting of PASO

Following the successful installation, the parameterisation software PASO can be started by double-clicking on the PASO icon. Certain settings of the PASO software, e.g., the selected language etc, are saved in a separate configuration file. When PASO is started for the first time, the configuration values in this file are set to standard values. During the course of running the program, these values can be corrected.

After the start-up, the Start window appears:



During the start-up, the parameterisation software PASO checks, whether a Wandfluh-Electronics device is connected. If no communication can be established, an error message appears (refer to section "[Communication interruption](#)"<sup>[88]</sup>) and the "Off Line"-mode will become active. All menu points and keys, which involve an action in connection with the communication, are then blocked. All other functions of the parameterisation software PASO can be utilised without any limitation.

Subsequently the parameters are loaded from the card and subsequently a verification of the Wandfluh-Electronics values takes place. If one or several parameters are outside the corresponding tolerance, they are replaced with standard values and a message is issued (refer so section "[Limiting value error](#)"<sup>[92]</sup>). The changed parameters can be either sent directly to the connected Wandfluh-Electronics or the communication start-up can be terminated (the "Off-Line"-mode will become active). In the latter case the user has the possibility to correct the parameters in "Off-Line"-mode. The communication is resumed again via the menu point "[Communication Activate On Line / Off Line gehen](#)"<sup>[61]</sup>. Subsequently the user has to select the option "Reprogram the Wandfluh-Electronics", in order for the corrected values to be made active on the Wandfluh-Electronics.

The parameter input can be made with clicking with the left mouse key on the corresponding box in the channel window. A input window will appear where all the desired values can be entered.

The menu points in the menu line can be selected in the following manner:

- by clicking on them with the mouse
- by actuating the key "ALT" and the underlined letter of the required menu point
- if a menu point has been selected, then by means of the keys "←" and "→" one can change to the next menu point and with the keys "↑" and "↓" one can change to the next sub-menu point within the menu selection field.

- by clicking on the corresponding icon in the icon list

In the header line of the window, the name of the current file is always displayed. If no existing file has been loaded or if the data have not been saved to a file, then this line reads "noname".

The following states will be displayed in the general status line:

- 1. field: Selected interface ("USB")
- 2. field: Current mode ("On Line" or "Off Line", refer to section "[Mode "Off Line" and "On Line"](#)"<sup>[85]</sup>)
- 4. field: PASO Update ("PASO update available", refer to section "[PASO Update](#)"<sup>[84]</sup>)

The following states will be displayed in the channel status line:

- 1. field: Teach-In ("Teach-In", only if this special function is available)
- 2. field: Parameter Inconsistency ("Parameter inconsistency", refer to section "[Parameter inconsistency](#)"<sup>[32]</sup>)
- 3. field: Temperature Derating ("Derating", refer to section "[Temperature monitoring](#)"<sup>[14]</sup>)
- 4. field: Characteristic optimisation active ("Optimisation", refer to section "[Characteristic optimisation](#)"<sup>[50]</sup>)
- 5. field: Automatic / Manual operation active ("Automatic" or "Manual", no used on this Wandfluh-Electronics)
- 6. field: Operating mode ("Remote PASO" or "Local", refer to section "[Operating mode](#)"<sup>[17]</sup>)
- 7. field: Warning ("Warning")
- 8. field: DSV state ("Disabled" or "Active", refer to section "[State machine](#)"<sup>[16]</sup>)
- 9. field: Error state ("Ready" or "Error", refer to section "[Diagnostics](#)"<sup>[77]</sup>)

## 9.10 Store parameter

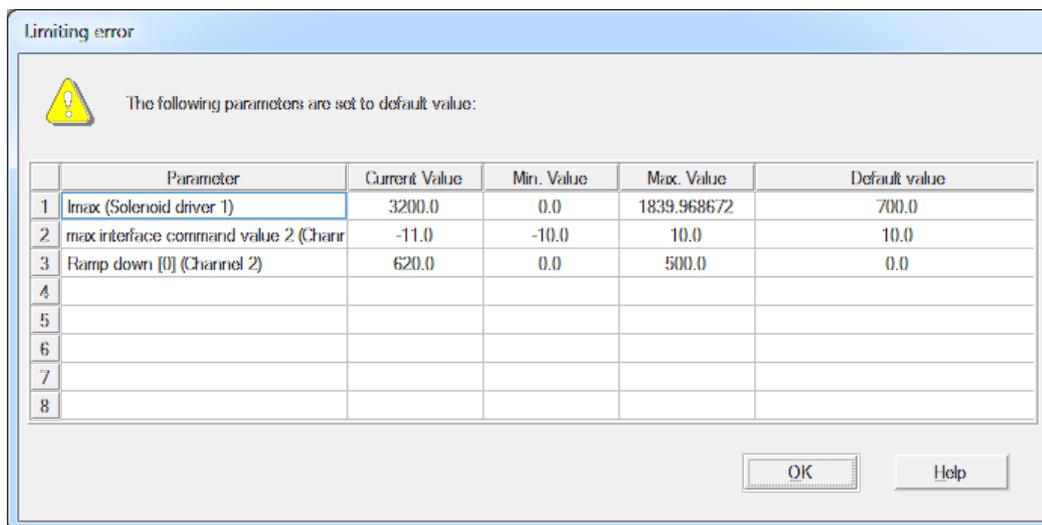
Each new input value is immediately transferred to the connected Wandfluh-Electronics after the completion of the input field (either by pushing the key ENTER or by activating another input field).

If the window is closed with the key "OK", the values are stored in the Wandfluh-Electronics so that they are available after the Wandfluh-Electronics are switched on again (non-volatile memory).

If the window is closed with the key "Cancel", the previous current values are active again. All inputs made in the current window are cancelled.

## 9.11 Limiting value error

Each incoming parameter (either transferred via the USB interface or loaded from a file) is checked against the limiting value. If a parameter is smaller or bigger than its limiting value (= limiting value error), it is set automatically to the default value and the following window appears:



Parameter: Name of the parameter with the limiting value error  
 Current value: Current value of the parameter  
 Min. value: Minimum allowed value of the parameter  
 Max. value: Maximum allowed value of the parameter  
 Default value: Default value of the parameter

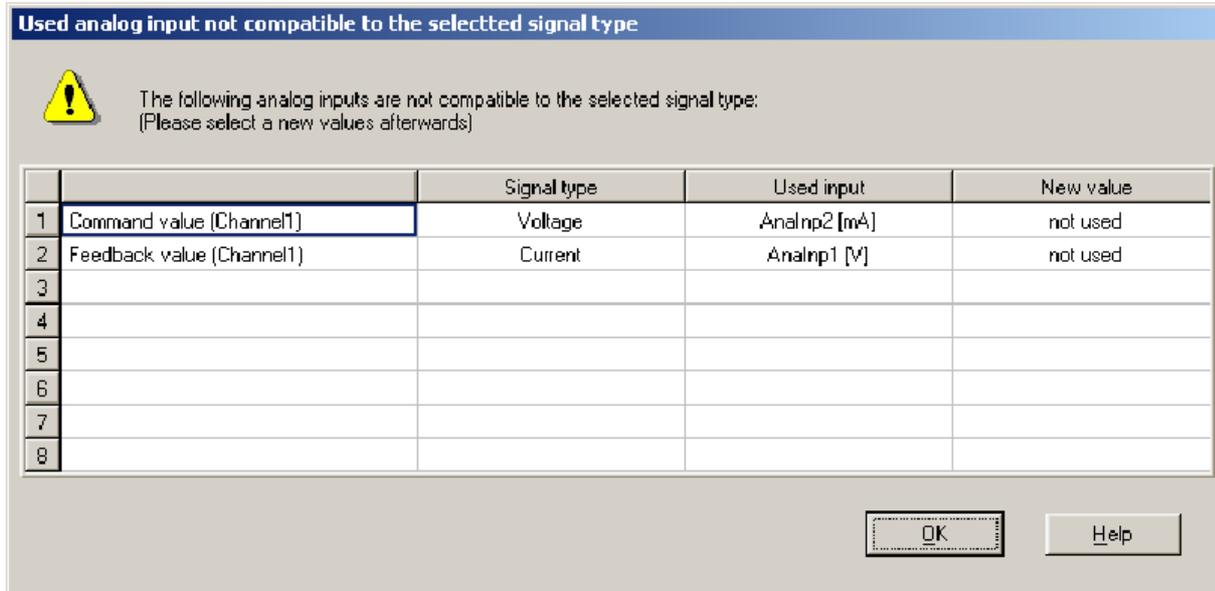
After pressing the key "OK", the current value is overwritten by the default value.

Normally, a limiting value error does not happen. However, in the following cases it can happen:

- loading a file, in which parameter values have been changed from outside
- reading parameter values from a Wandfluh-Electronics device with another configuration than the current configuration in the PASO (only if the Wandfluh-Electronics were changed while in the "On Line"-mode)
- if the transmission of the parameter values is wrong

## 9.12 Used analog input not compatible to the selected signal type

Before activating the ON-Line mode (only with DOWNLOAD Parameters, refer to section "[Mode "Off Line" and "On Line"](#)<sup>[85]</sup>"), PASO is checking, if the selected analog inputs are compatible with the selected signal types (voltage inputs for signal type "Voltage", current inputs for signal type "Current"). If one or more analog inputs are not compatible, it is set automatically to "not used" (refer to section "[Assignment of the inputs/outputs](#)<sup>[31]</sup>") and the following window appears:



Signal type: Selected signal type  
 Used input: Selected analog input  
 New value: New value for the used analog input

After pressing the button "OK", the value of the used analog input is to not used. Afterwards, it must be readjust (refer to section "[Assignment of the inputs/outputs](#)<sup>[31]</sup>").

## 9.13 Description of Commands

The description of the individual commands and parameters is contained in section "[Settings](#)"<sup>[12]</sup>.

## 10 Disposal

- The DSV-Electronics have to be disposed of in accordance with the generally applicable regulations of that country, in which it is being used.
- Electronics components are recycled by companies specialised in this field.

## 11 Accessories

- Parameterisation software PASO refer to [Installation of PASO](#)<sup>83)</sup>
- Parameterisation cable for USB interface article no. 219.2896  
Type A => Type Mini-B, male/male
- Cable connector for analog interface  
- straight, soldering contact article no. 219.2330  
- 90°, soldering contact article no. 219.2331

Recommended cable size:

- Outer diameter 9...10,5 mm
- Single wire max. 1 mm<sup>2</sup>
- Recommended wire size:
  - 0...25 m = 0,75 mm<sup>2</sup> (AWG 18)
  - 25...50 m = 1 mm<sup>2</sup> (AWG 17)

## 12 Additional information

You can find additional information in the following Wandfluh documentations:

Wandfluh-Electronics general	Documentation A	Register	1.13
Accessories	Documentation A	Register	1.13
Proportional directional control valves	Documentation A	Register	1.10
Proportional pressure control valves	Documentation A	Register	2.3
Proportional flow control valves	Documentation A	Register	2.6